

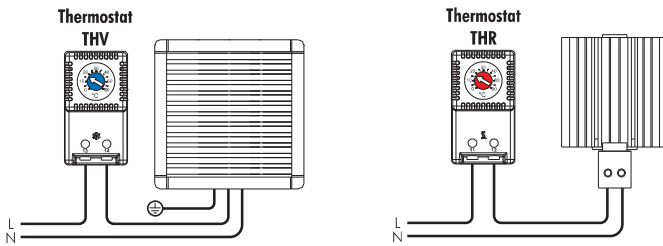


CONTROL

THV - THR THERMOSTATS

Compact Thermostat for DIN 35 mm. rail mounting. Based on bimetallic junction, provides high capacity NO or NC contact. Two versions available.

THVx	NO Contact ●	Typically used for controlling ventilation devices
THRx	NC Contact ●	Typically used for controlling heaters

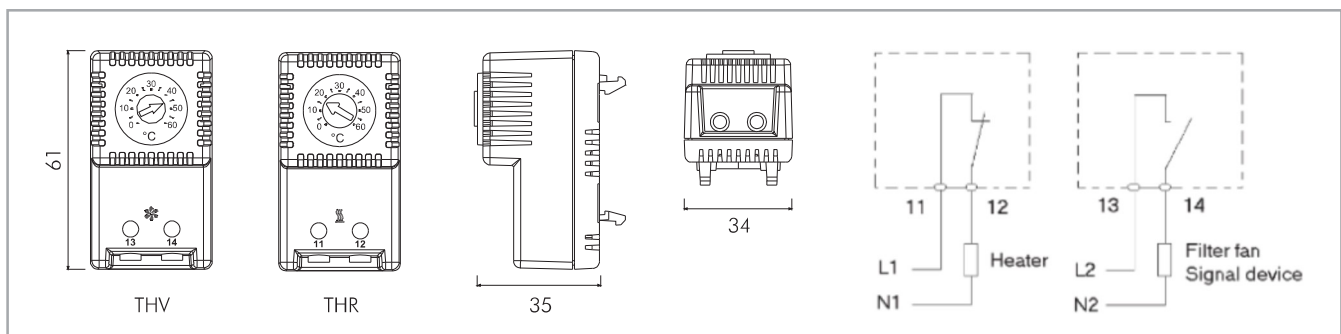


Features	Unit	THR1	THR2	THR3	THV1	THV2	THV3
Contact function	-	NC	NC	NC	NO	NO	NO
Temperature setting range	°C	-10/+50	0/+60	+20/+80	-10/+50	0/+60	+20/+80
Precision	°C	±4					
Hysteresis	°C	7					
Max switching current							
250Vac resistive load (inductive load)	A	10 (1.6)					
125Vac resistive load (inductive load)	A	15 (2.5)					
Max. switching power in Vdc	W	30					
Temperature sensor type	-	Thermostatic bimetal					
Contact type	-	Snap action					
Contact resistance	mOhm	< 10					
Service life	cycles	> 100 000					
Electrical connections	-	2-pole terminal for 2.5 mm ² wire					
Casing	-	PA6, UL94 V0 self-extinguishing, light grey RAL 7035					
Protection degree EN60529	-	IP20					
Operating temperature	°C (°F)	-25/+80 (-13/+176)					
Storage temperature	°C (°F)	-45/+80 (-49/+176)					
Mounting	-	Clip for mounting on DIN rail 35 mm EN50022					
Installation position	-	Variable					
Conformity/Certifications	-	CE-UL c us File n. E348803					
Dimensions HxWxD	mm	61x34x35					
Weight (with packaging)	kg	0.048 (0.055)					

Accessories

DIN rail bracket

GUIDADINPL



Specifications, values and drawings are subject to change without notice.