



SHT

PTC HEATERS, TERMINAL CONNECTION



Features	Unit	SHT25	SHT50	SHT75	SHT100	SHT125	SHT150
Heating Capacity*	W	25	50	75	100	125	150
Power supply	V	110-250V AC or DC					
Inrush current	A	2.5	3.5	4	5	7	9.5
Delayed fuse (advised)	A	4	4	6.3	8	8	10
Heating element type	-	PTC resistor, self regulating					
Electrical connections	-	2 screw terminals for stranded or rigid wire 2.5 mm ²					
Protection class IEC	-	Class II					
Protection degree EN60529	-	IP20					
Operating temperature	°C (°F)	-45/+70 (-49/+158)					
Storage temperature	°C (°F)	-45/+80 (-49/+176)					
Radiator	-	Extruded aluminium profile, anodized					
Mounting	-	Clip for mounting on DIN rail 35 mm EN50022					
Installation position	-	Best efficiency in vertical position					
Dimensions HxWxD	mm	90x50x80	110x50x80	160x50x80	110x90x80	160x90x80	220x90x80
Weight	kg	0.25	0.30	0.45	0.50	0.85	1.1
Conformity	-	CE					

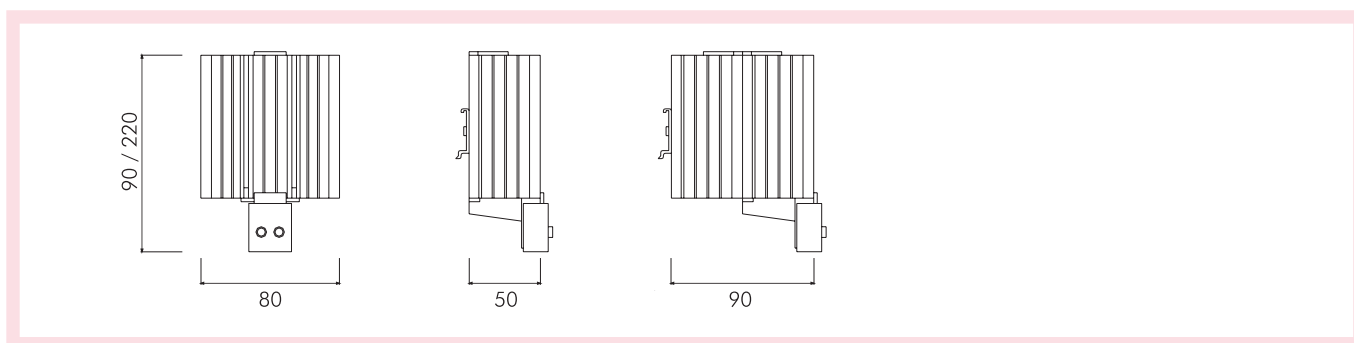
*at 20°C (68°F) ambient temperature

Versions

with integrated fixed thermostat NC 5°C	SHT25T	SHT50T	SHT75T	SHT100T	SHT125T	SHT150T
---	--------	--------	--------	---------	---------	---------

Accessories

Thermostat NC 0-60°C	THR2
Double thermostat NC 0-60°C NO 0-60°	THR22
Hygrothermostat 0-60°C 30-90%RH	ETUH22
Hygrostat 10-90%RH	MUH



ael-cat-er-15.01 - Specifications, values and drawings are subject to change without notice.