

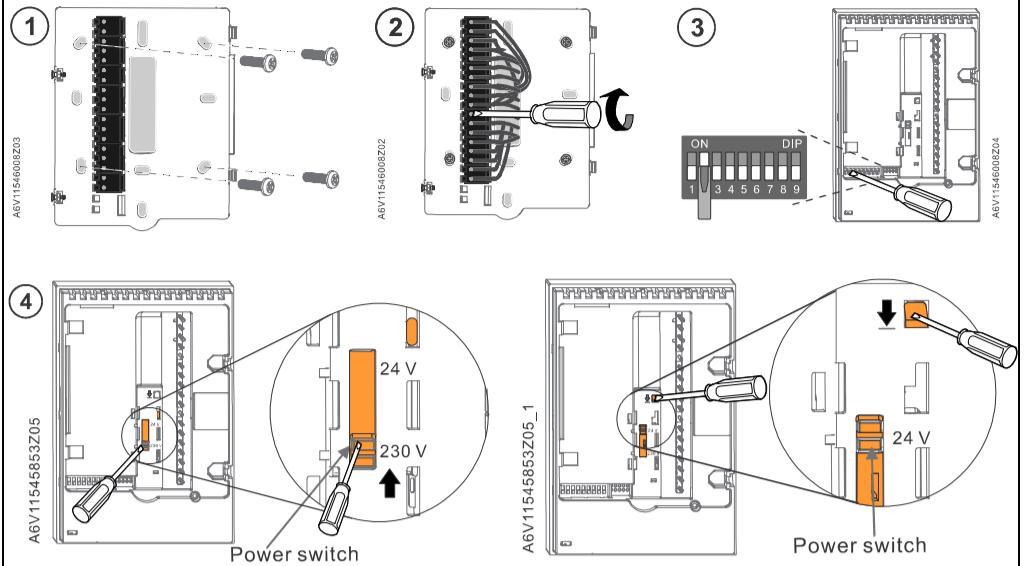


RDG200KN

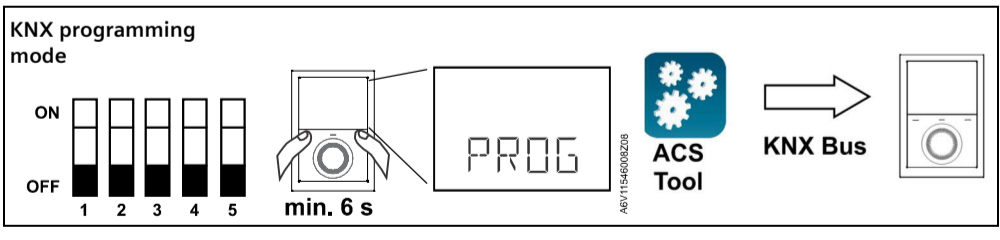
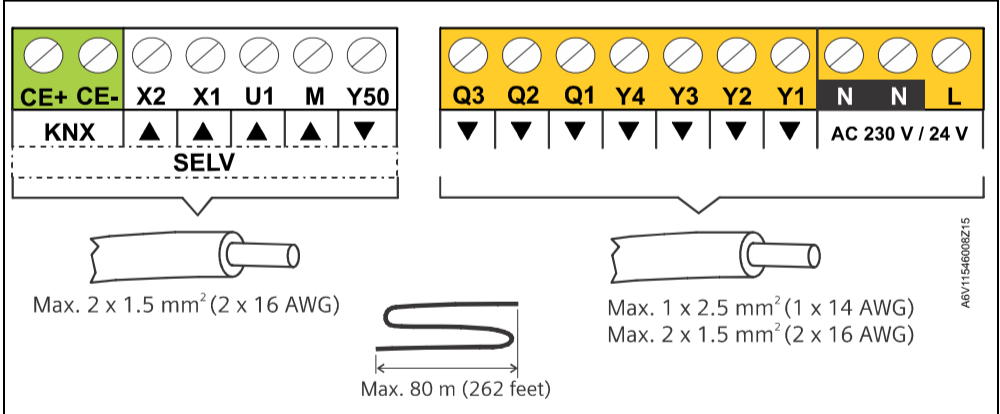
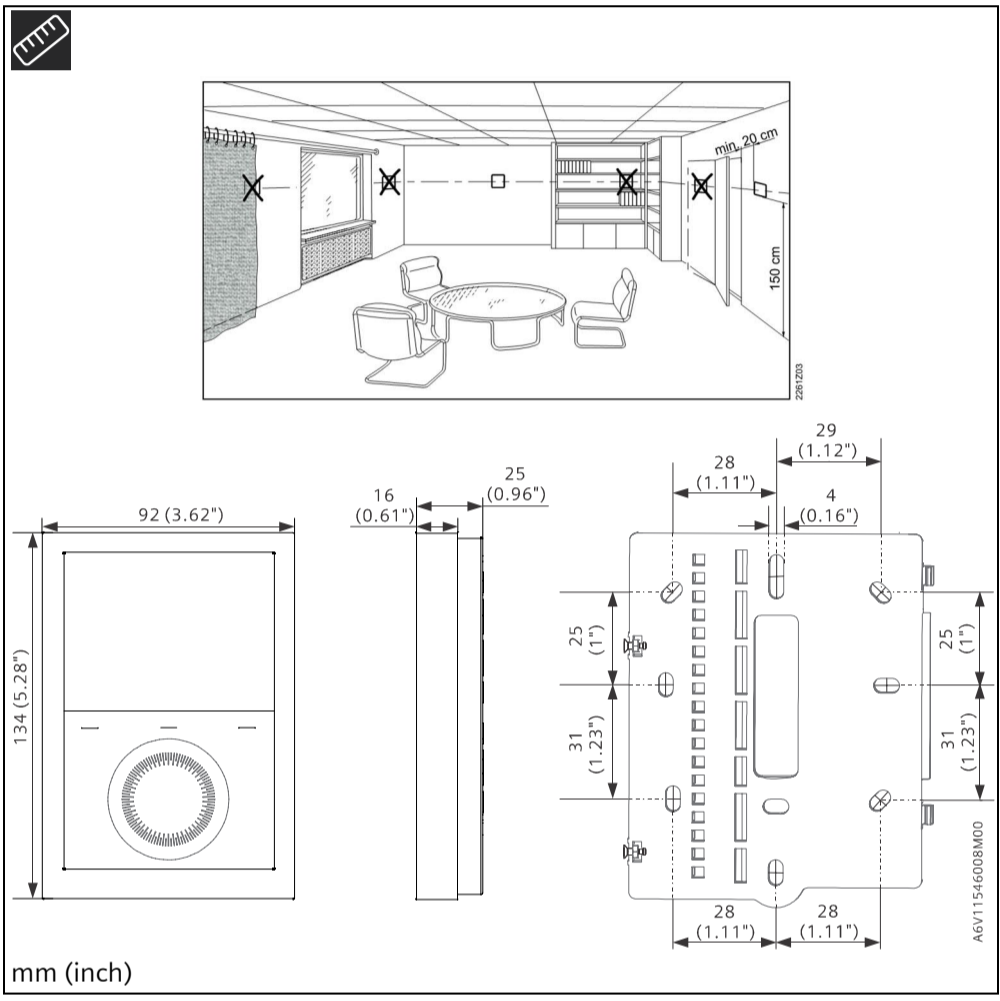
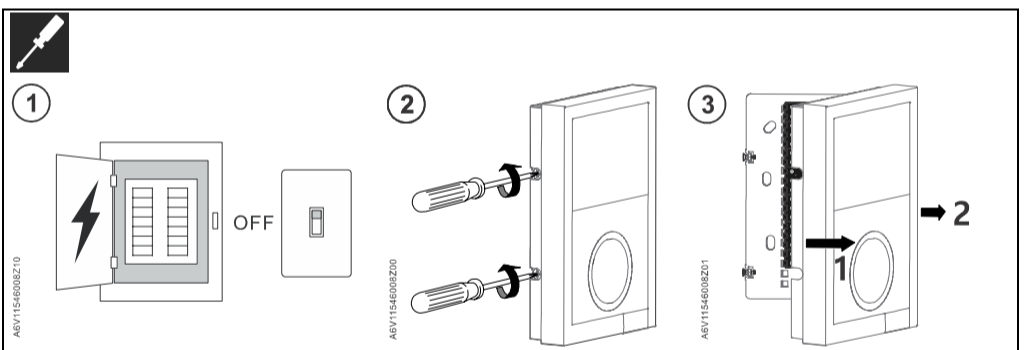
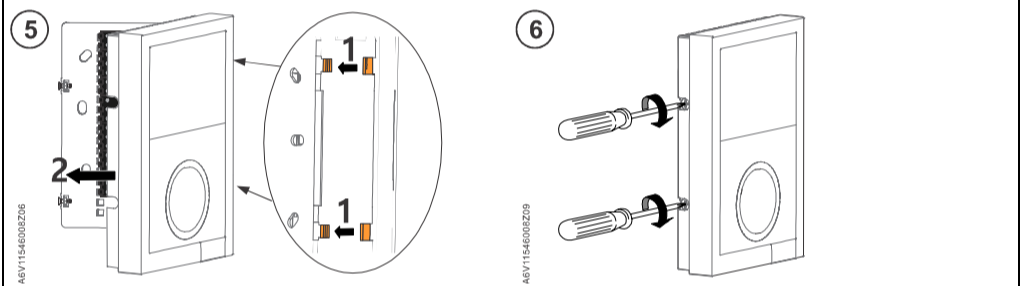
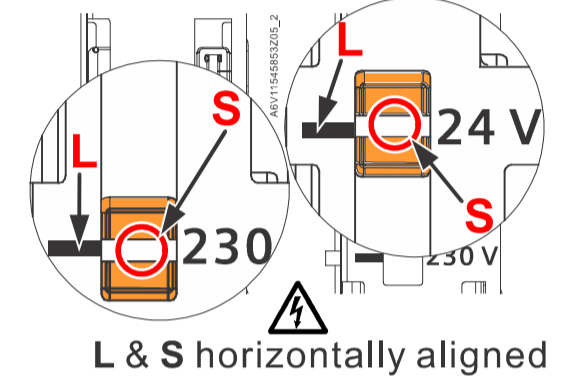


User manual, documentation and parameters
www.downloads.siemens.com/download-center

- | | | | | | |
|----|-------------------------|----|-------------------------|----|--------------------------|
| en | Mounting instructions | de | Montageanleitung | es | Instrucciones de montaje |
| fr | Instructions de montage | it | Istruzioni di montaggio | tr | Montaj talimatları |

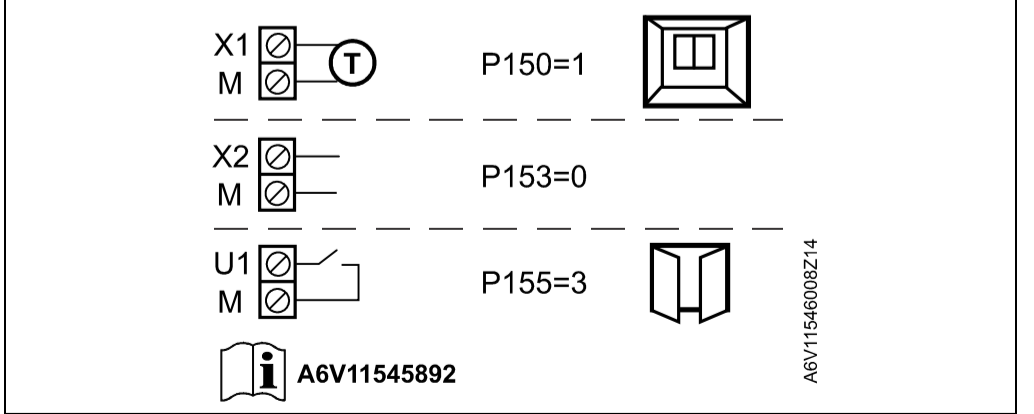
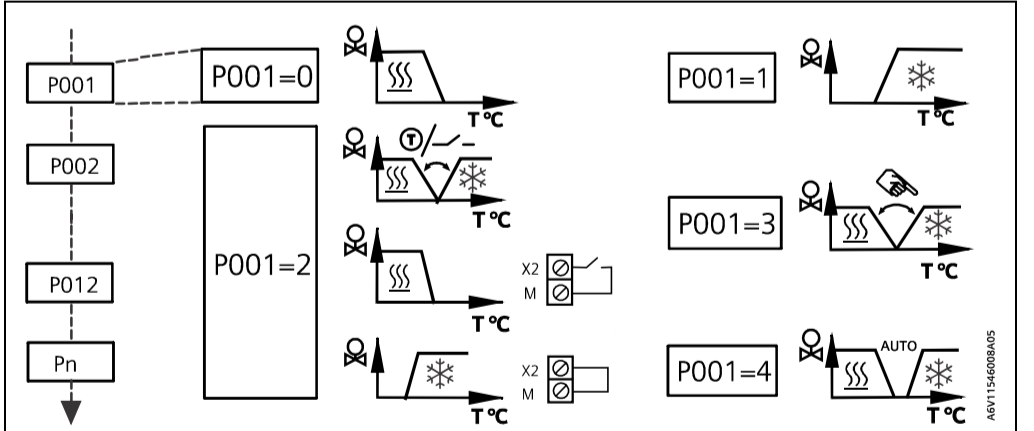


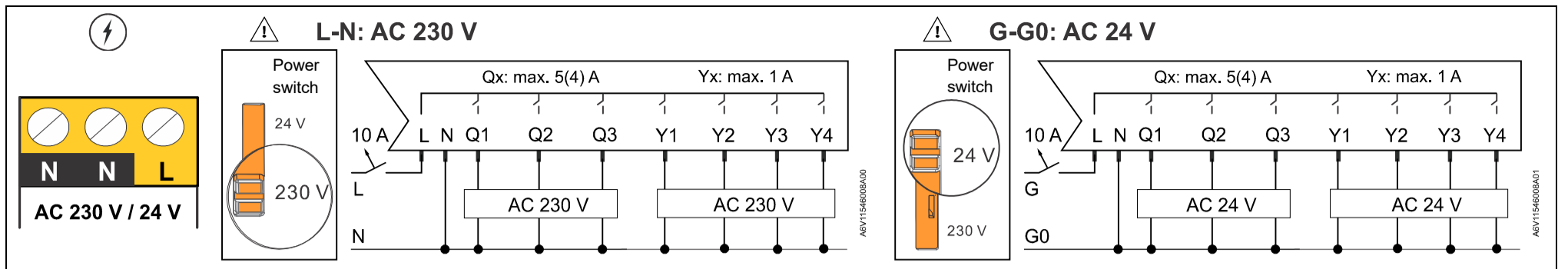
⚠ AC 230 V ⇒ AC 24 V ⚠ AC 24 V ⇒ AC 230 V



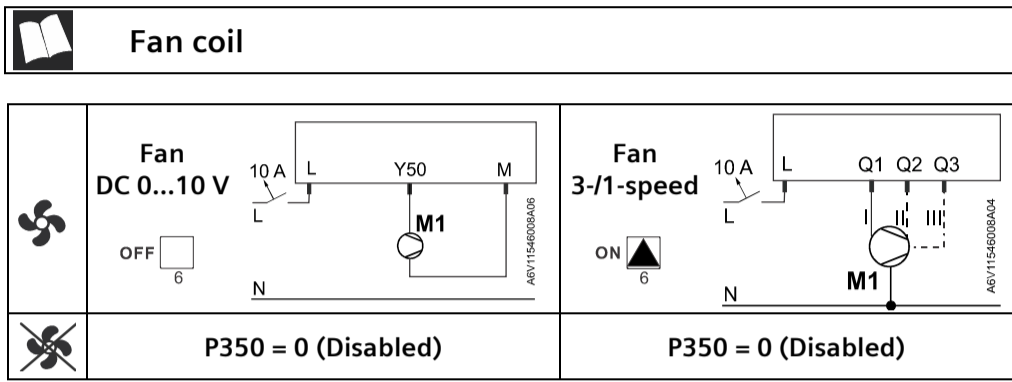
- Documents
- Parameters P001...Pn
- Humidity (r.h.)
- KNX S-mode
- ...

www.siemens.com/HIT





AC 24 V: G-G0 ⇒ L-N (⊘)



Application	V1	Outputs	
		2-pos (PWM)	3-pos
① 2-pipe ▲ 1 2 3 4 5	h/c		

Application	Outputs	
	V1	V2
② 2-pipe with electric heater ▲ 1 2 3 4 5	h/c	E
③ 2-pipe with radiator ▲▲ 1 2 3 4 5	h/c	RAD
④ 4-pipe ▲ 1 2 3 4 5	h/c	h/c
⑤ 2-pipe/2-stage ▲▲ 1 2 3 4 5	h/c	h/c

Application	V1	V2	V3	Outputs	
				3 x 2-pos (PWM)	2-pos (PWM) 3-pos 2-pos (PWM)
⑥ 4-pipe with electric heater ▲▲▲ 1 2 3 4 5	h/c	h/c	E		

Application	V1	V2	V3	V4	Outputs
					4 x 2-pos (PWM)
⑦ 4-pipe/2-stage ▲▲▲▲ 1 2 3 4 5	h/c	h/c	h/c	h/c	

FCU	en	de	es	fr	it	tr
①	2-pipe fan coil	2-Rohr Ventilator-konvektor	Fancoil a dos tubos	Ventiloconvecteur 2 tubes	Fan coil 2 tubi	2 borulu fan coil
②	2-pipe with electric heater	2-Rohranwendung & Elektroheizung	2 tubos & batería eléctrica	Application 2 tubes & batterie électrique	Fan coil 2 tubi con batteria elettrica	2 borulu & elk. Isıtıcı
③	2-pipe with radiator	2-Rohranwendung & Radiator	2 tubos & radiador	Application 2 tubes & radiateur	Fan coil 2 tubi e radiatore	2 borulu & radyatör
④	4-pipe fan coil	4-Rohr Ventilator-konvektor	Fancoil a 4 tubos	Ventiloconvecteur 4 tubes	Fan coil 4 tubi	4 borulu fan coil
⑤	2-pipe/2-stage	2-Rohr/2-stufig	2 tubos/2 etapas	2 tubes/2 étages	2-tubi / 2-stadi	2-borulu/2-kademe
⑥	4-pipe with electric heater	4-Rohranwendung & Elektroheizung	4 tubos & batería eléctrica	Application 4 tubes & batterie électrique	Fan coil 4 tubi con batteria elettrica	4 borulu fan coil & elk. Isıtıcı
⑦	4-pipe/2-stage	4-Rohr/2-stufig	4 tubos/2 etapas	4 tubes/2 étages	4-tubi / 2-stadi	4-borulu/2-kademe