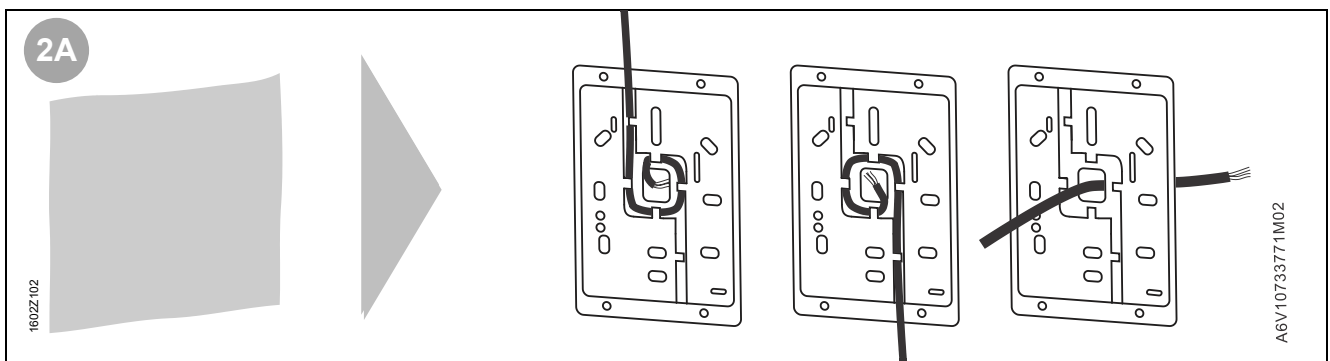
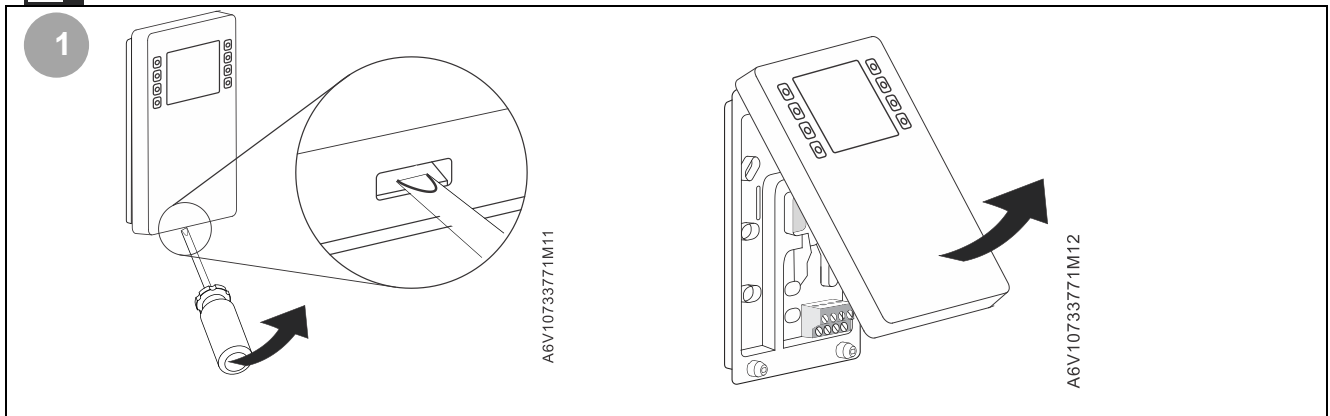
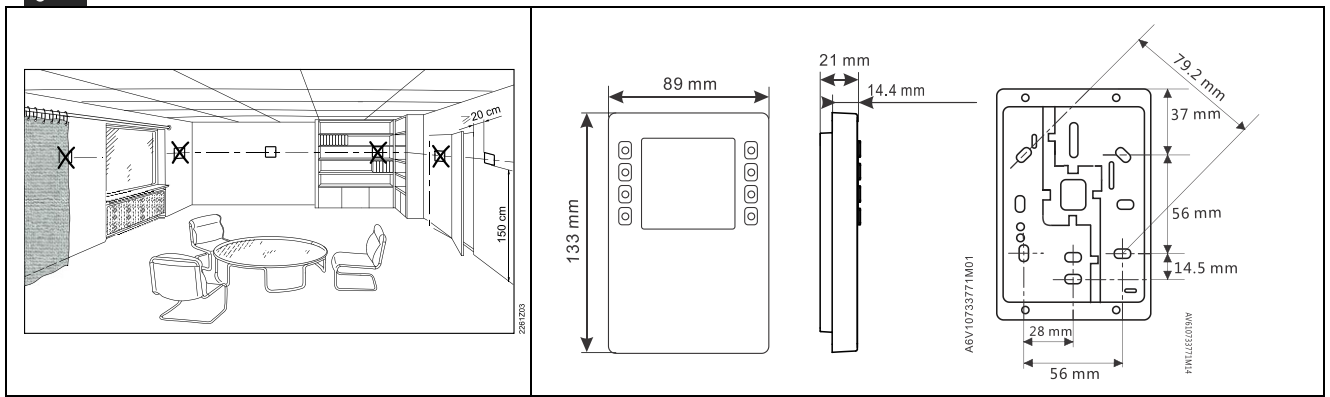
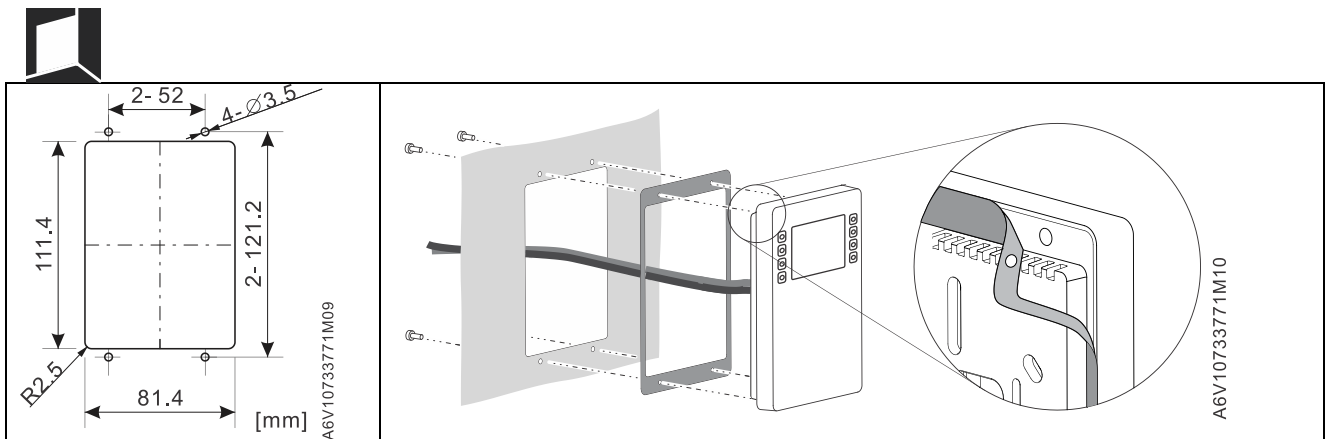
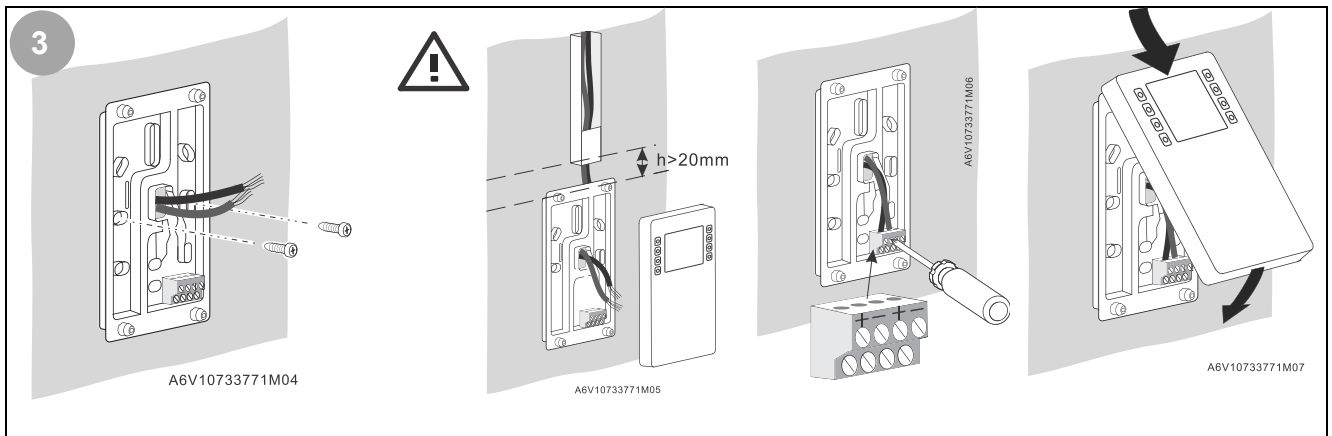
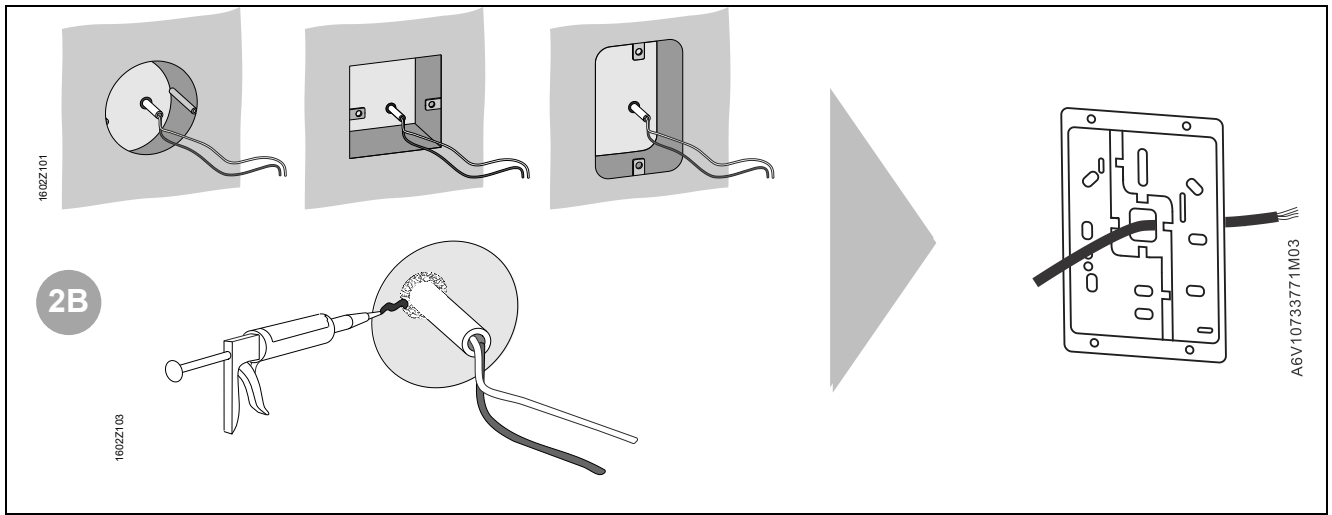




QMX2.P33 QMX2.P43





Issued by
 Siemens Switzerland Ltd
 Smart Infrastructure
 Global Headquarters
 Theilerstrasse 1a
 CH-6300 Zug
 Tel. +41 58 724 2424
www.siemens.com/buildingtechnologies

© Siemens Switzerland Ltd., 2017
 Technical specifications and availability subject to change without notice.

Contact for regulatory topics:
 (EU) Siemens AG, Berliner Ring 23, DE-76437 Rastatt
 (GB) Siemens plc, Sir William Siemens House, Princess Road, Manchester, M20 2UR