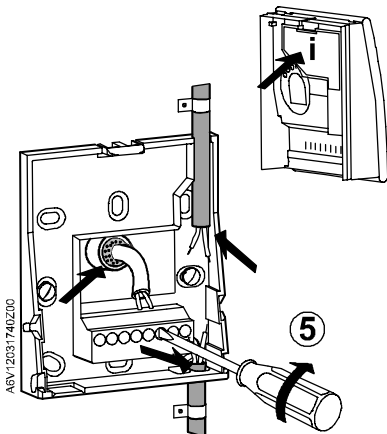
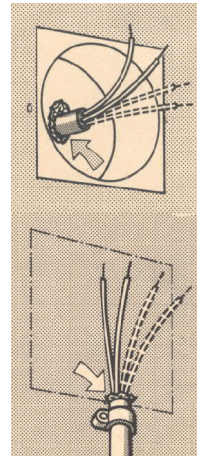
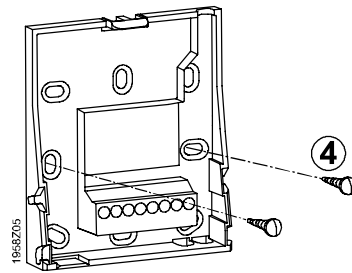
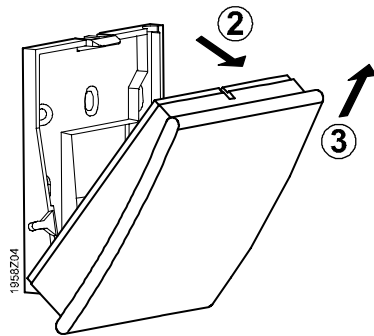
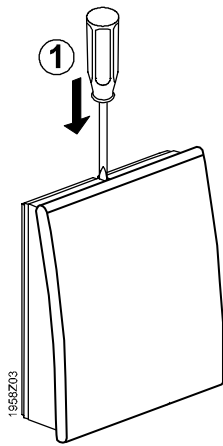
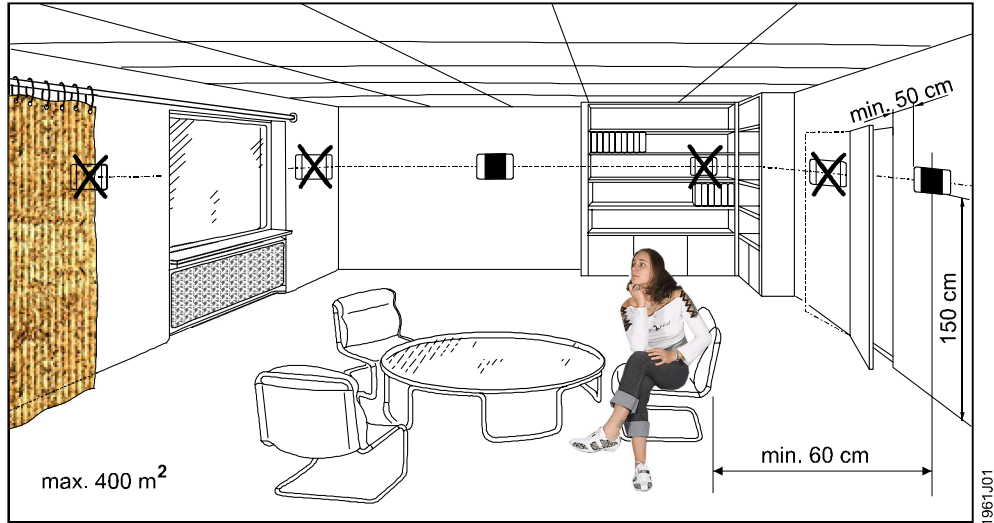
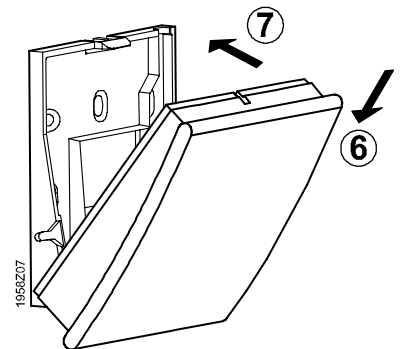


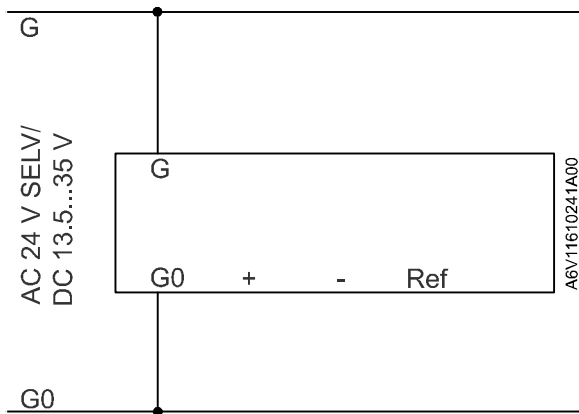
- de** Montageanleitung
- en** Mounting instructions
- fr** Instructions de montage
- sv** Monteringsinstruktion
- nl** Montage-aanwijzing
- it** Istruzioni di montaggio
- fi** Asennusohje
- es** Instrucciones de montaje
- da** Monteringsvejledning

QFA2050/MO QFA2050D/MO QPA2052/MO



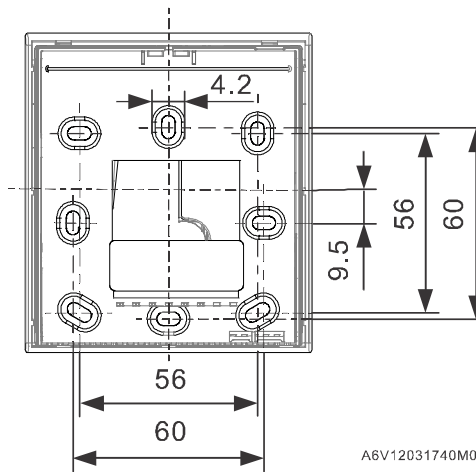
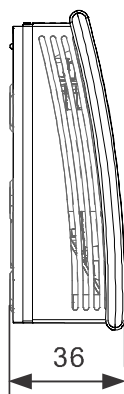
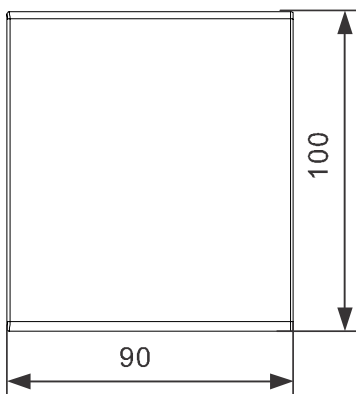
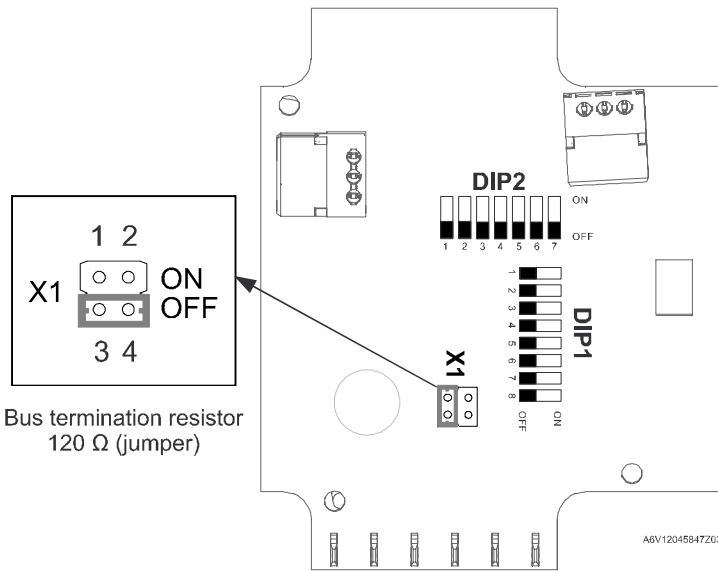
	min.	max.
	0.25 mm ²	1 x 1.5 mm ²
	0.25 mm ²	2 x 1.5 mm ²
	⚠	





G	AC 24 V ±20 % / DC 13.5...35 V
G0	GND
+	RS485 Modbus A
-	RS485 Modbus B
Ref	GND_ISO

A6V11610241Z02



Masse in mm
 Dimensions in mm
 Dimensions en mm
 Mått i mm
 Afmetingen in mm
 Dimensioni in mm
 Mitat mm
 Dimensiones en mm
 Mål i mm

Open Source Software (OSS)

All open source software components used within the product (including their copyright holders and the license conditions) can be found from the website <http://www.siemens.com/download?A6V12058679>.