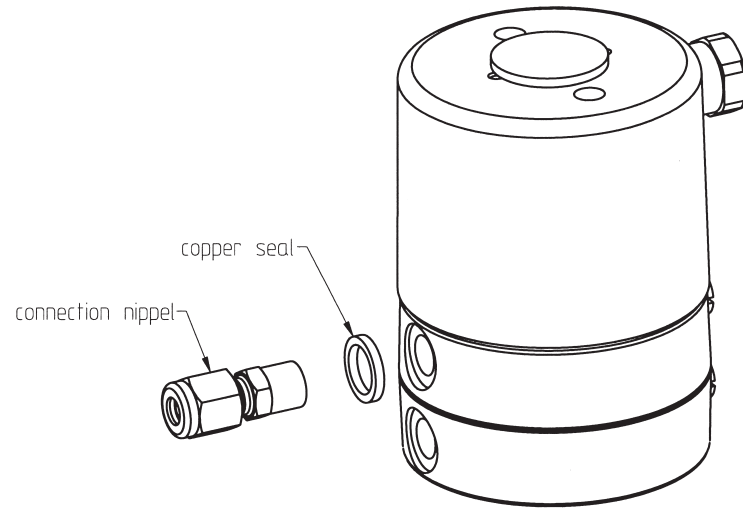


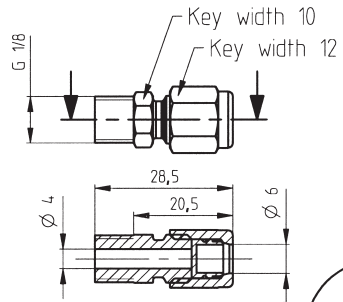
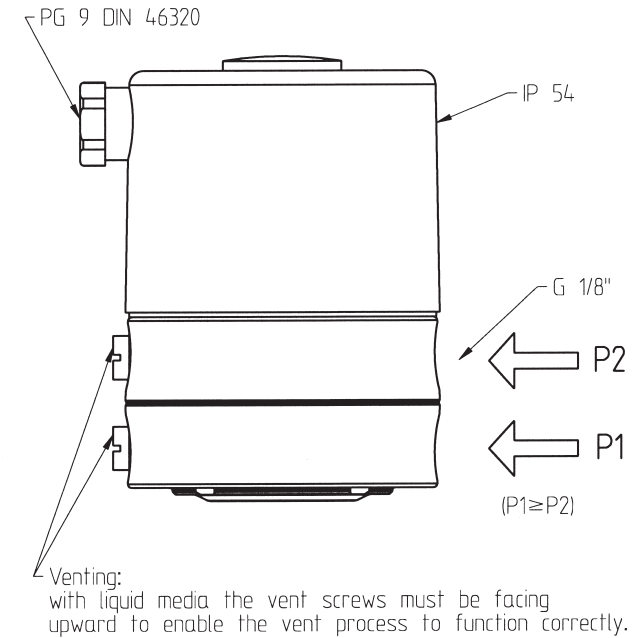
Installation arrangement

Unrestricted. Venting required with liquid media



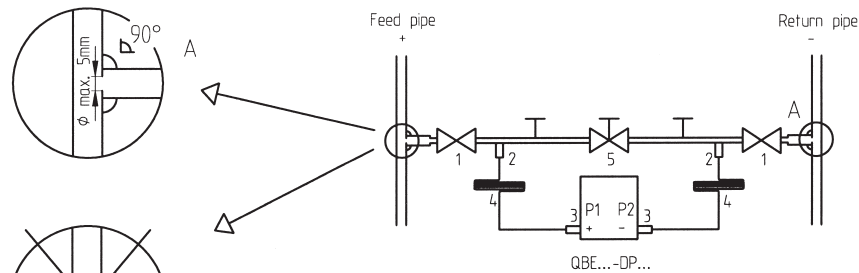
Electrical connection

G	+	IN
U	↗	OUT
M	0	GND



Mechanical connection

Recommended configuration



- Legend: A Measuring holes
- 1 Tabs (SERTO SO 07100-6 SO 09904-4-8)
 - 2 Branch pipe (SERTO SO 0300-1/8)
 - 3 Connection nipple (from connection set AQB 51.1)
 - 4 Copper tube (from connection set AQB 51.1)
 - 5 Bypass pipe with stopcock

