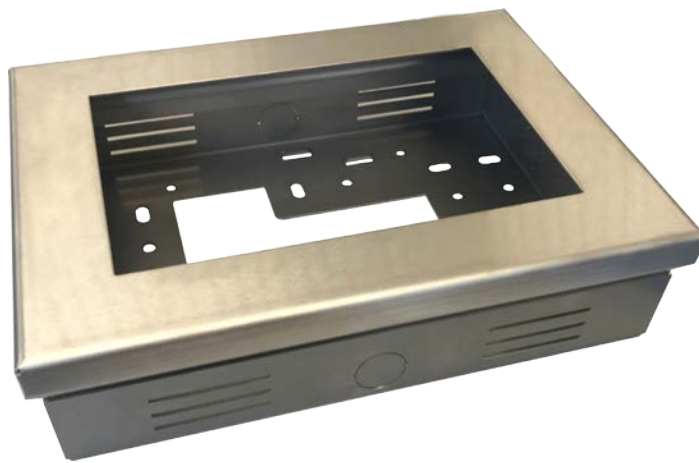


Designo Control Point

Mounting set for PXM30-1, PXM30.E

PXA.S30



Mounting set for wall or panel door mounting

- Simple cover for panel door 138 x138 mm cutouts
- Wall mounting of PXM30-1 or PXM30.E operator units
- Simplifies renovations

Application

The PXA.S30 mounting set easily mounts operator units PXM30-1 or PXM30.E on a wall or on a control panel door.

The 138x138mm cutout often needs to be closed when migrating automation stations. This workstep is costly, mostly specific to the plant, and often aesthetically undesirable. The PXA.S30 mounting set simplifies renovations and reduces costs.

Technical and mechanical design

The mounting set consists of a top and bottom part, both made of stainless steel.

- The touch panel is installed in the top part
- The bottom part is mounted on the wall / panel door
- The top part is attached to the bottom part

Type summary

Type	Order number	Description
PXA.S30	S55842-Z123	Mounting set

Product documentation

Related documents such as environmental declarations, CE declarations, etc., can be downloaded at the following Internet address:

<http://siemens.com/bt/download>

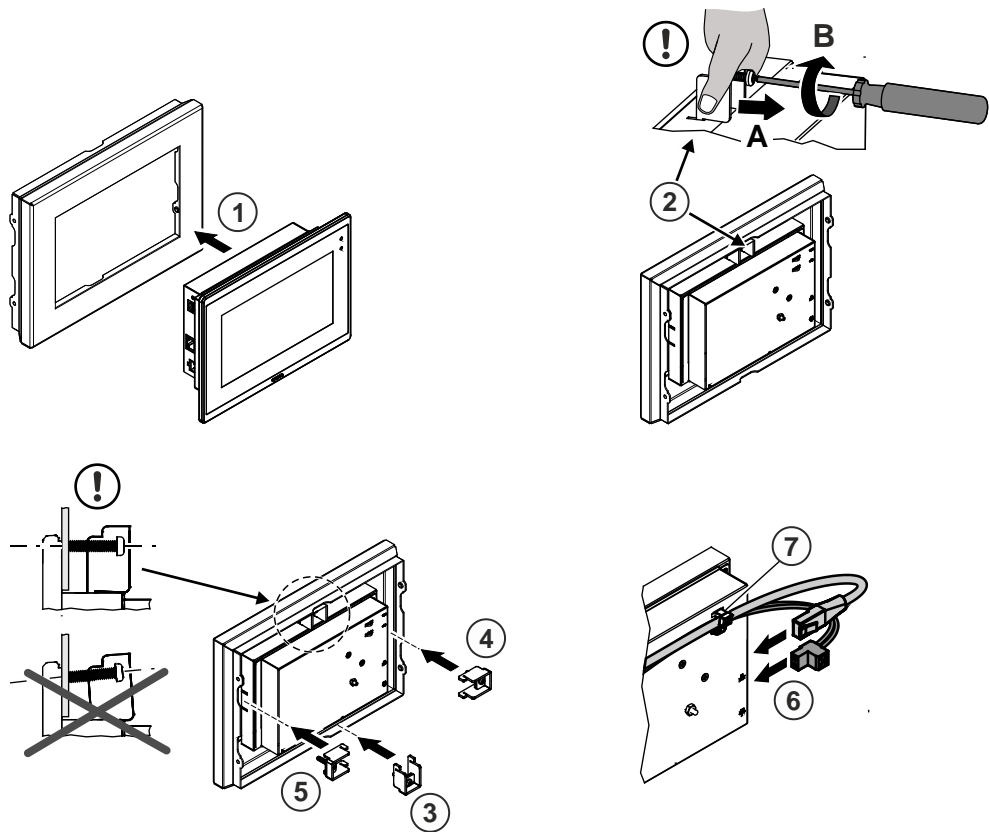
Mounting

The following examples describe the various solutions. There are essentially three variants that can also be combined.

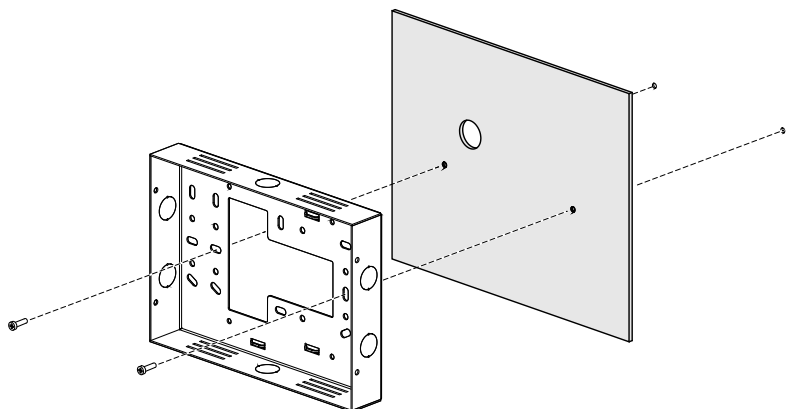
- Cover an existing 138x138 mm cutout.
- Easy mounting of a PXM30-1 or PXM30.E on panel doors or wall.
- Mounting a PXM30-1 or PXM30.E on the panel door and mounting a new automation station on the inside of the panel door on mounting rails.

Be sure to maintain the required ambient temperature for the PXM30-1, PXM30.E touch panels when mounted.

Installation of the touch panel in the top part

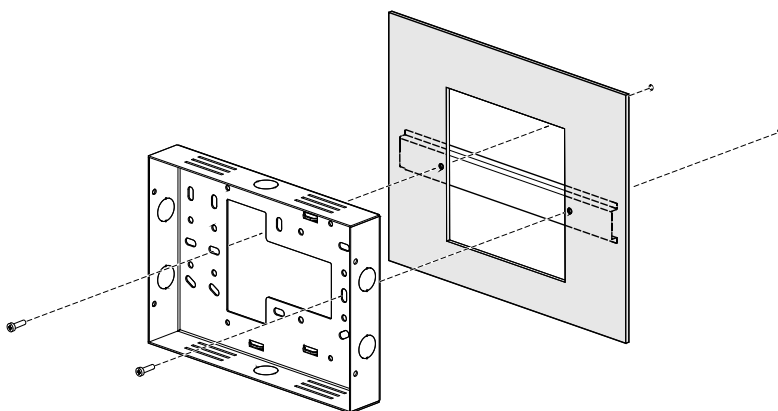


Mounting of the bottom part on the wall or panel door



The large hole is for the touch panel cable as needed.
→ Break out the edges or attach edge protection!

Attaching a DIN rail



Different DIN rails can be attached to the bottom part on the rear side of the panel door.
The required mechanical strength depends on the device that is installed on the interior side. Light devices can be fixed without additional drilling. However, rails attached with additional screws are required to mount automation stations.
DIN rails can be attached horizontally or vertically using the provided screws.

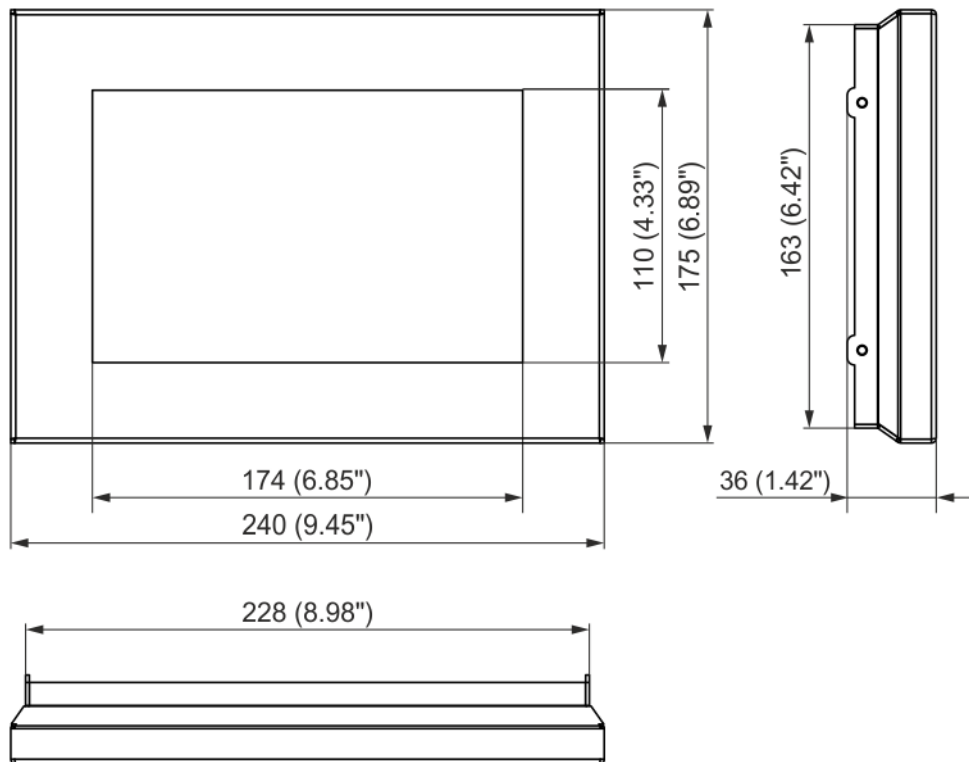
Technical data

Dimensions	See "Dimensions"
Color	Stainless steel, blank
Weight, without / with packing	1000 g / 1080 g

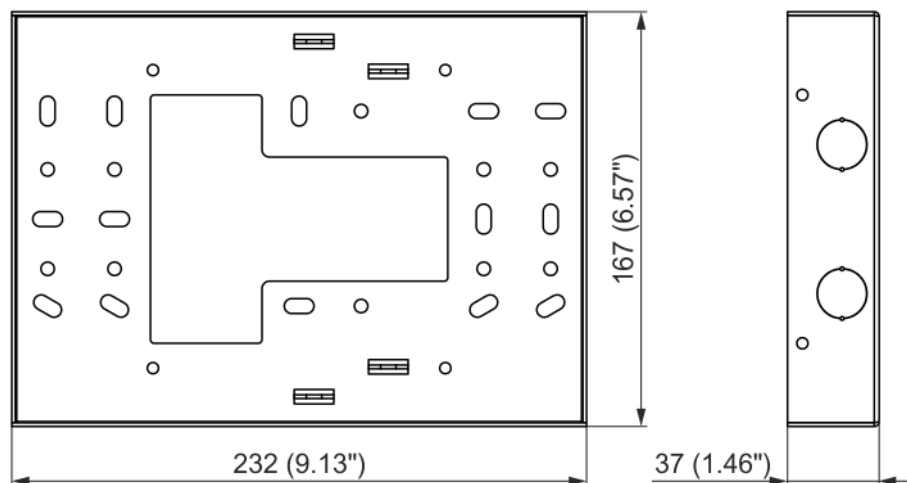
Dimensions

Dimensions in mm (inches)

Top part

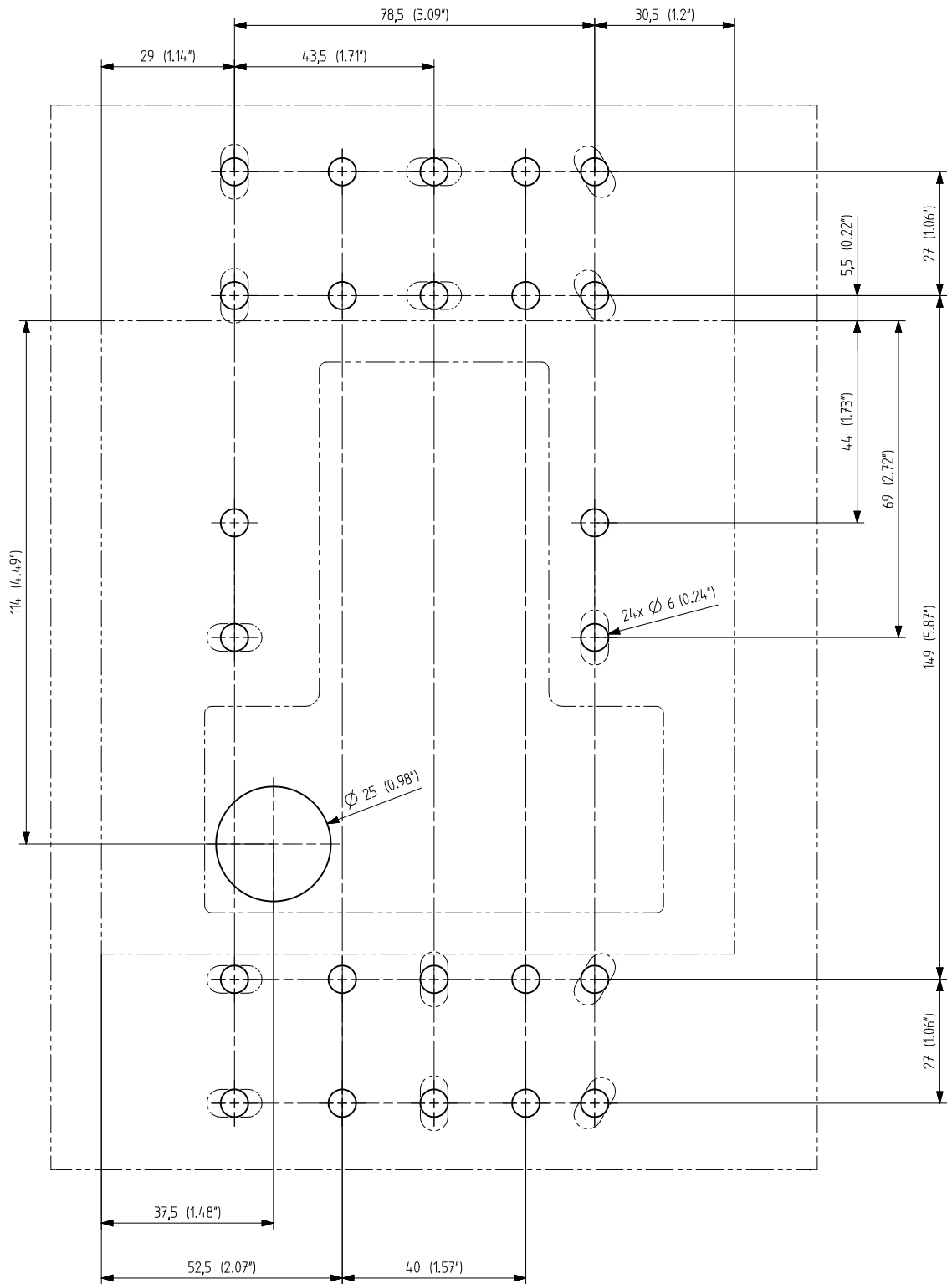


Bottom part



Drilling template

Dimensions in mm (inches)



Published by:
Siemens Switzerland Ltd.
Smart Infrastructure
Global Headquarters
Theilerstrasse 1a
6300 Zug
Switzerland
Phone +41 58 724 24 24
www.siemens.com/buildingtechnologies

© Siemens Switzerland Ltd 2019
Delivery and technical specifications subject to change

Document ID

Edition 2019-06-18