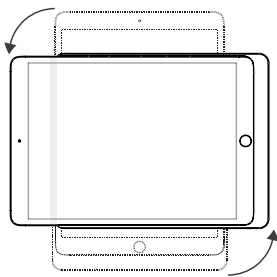


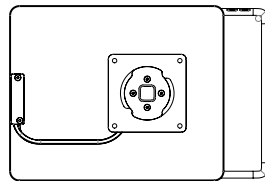


**Dame Wall Home** is an elegantly designed one-side-open tablet wall mount. The wall mount is made from precisely machined aluminium, with a smoothly anodized or powder-coated surface.

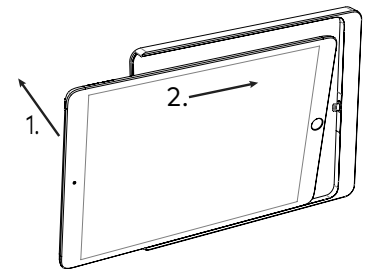
## Product characteristics



built-in rotation unit for smooth switch between horizontal and portrait view

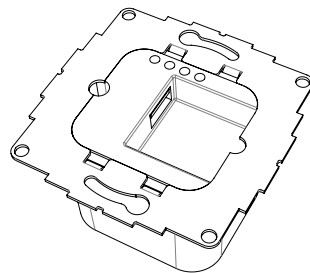


integrated lightning cable



easy insertion and removal of a tablet for portable use

## Accessories



USB socket or PoE adapter



silver anodized

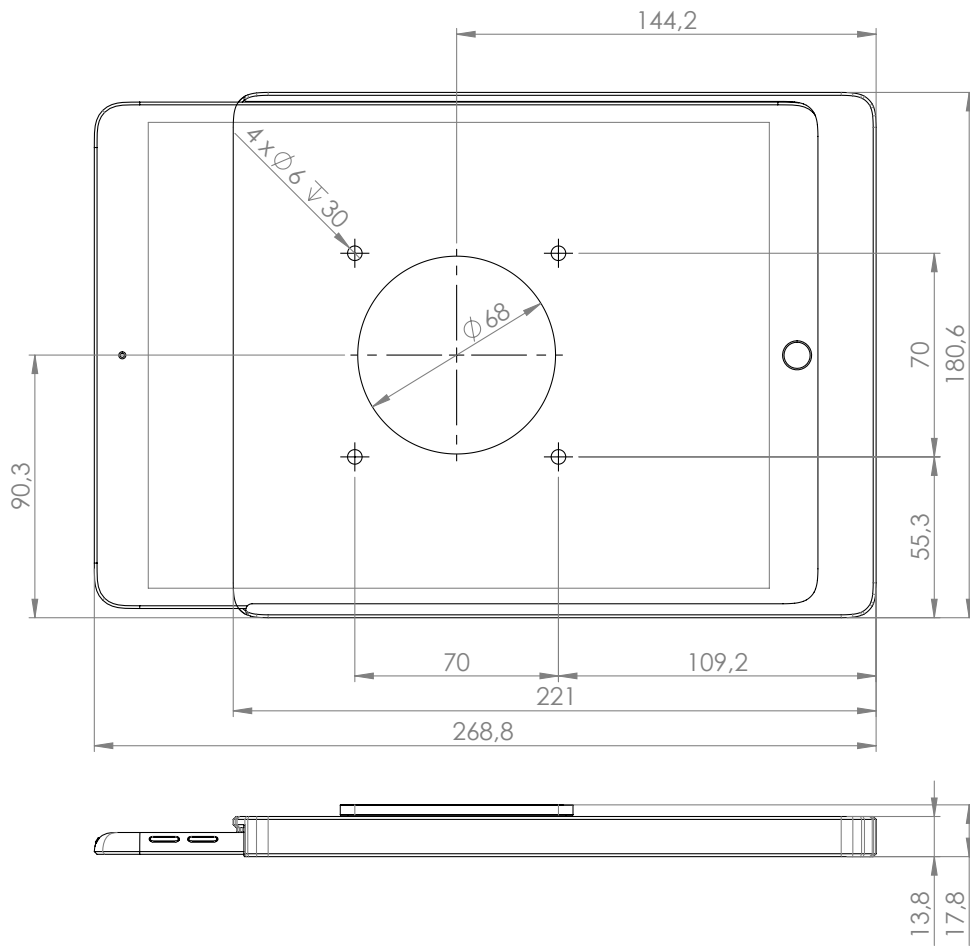


black anodized

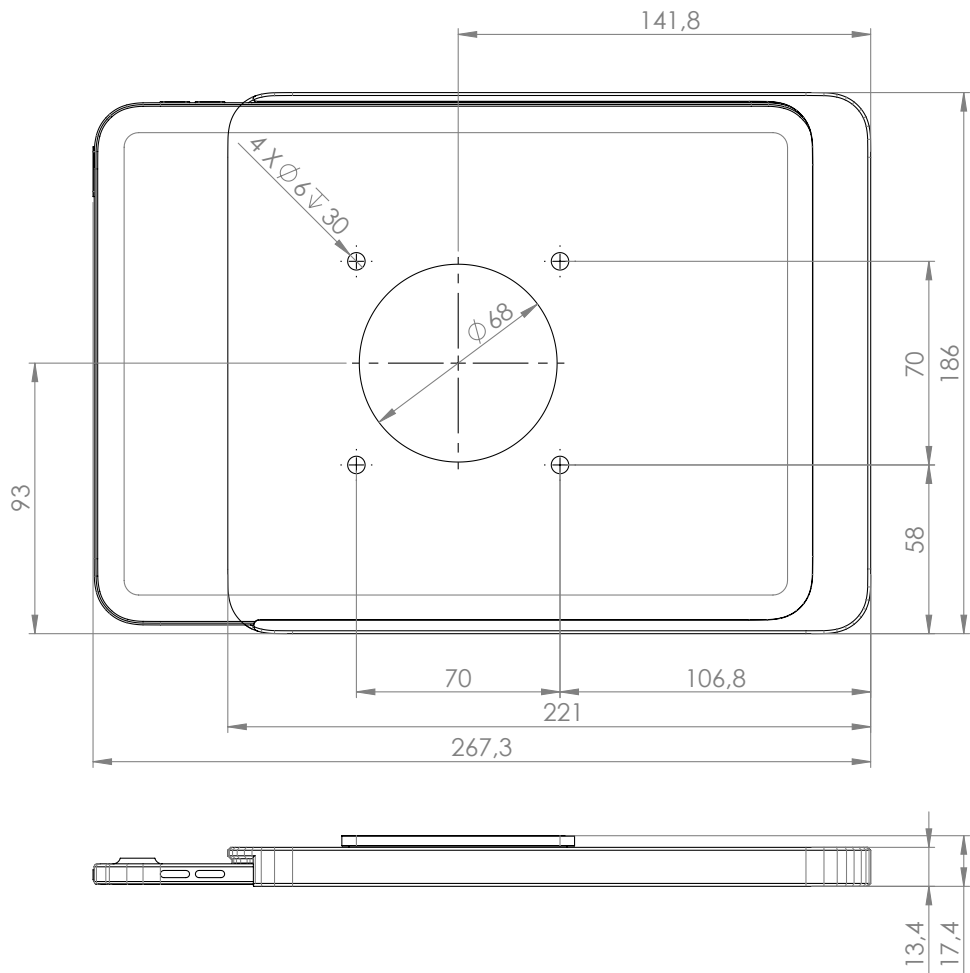


white powder coated - RAL 9016

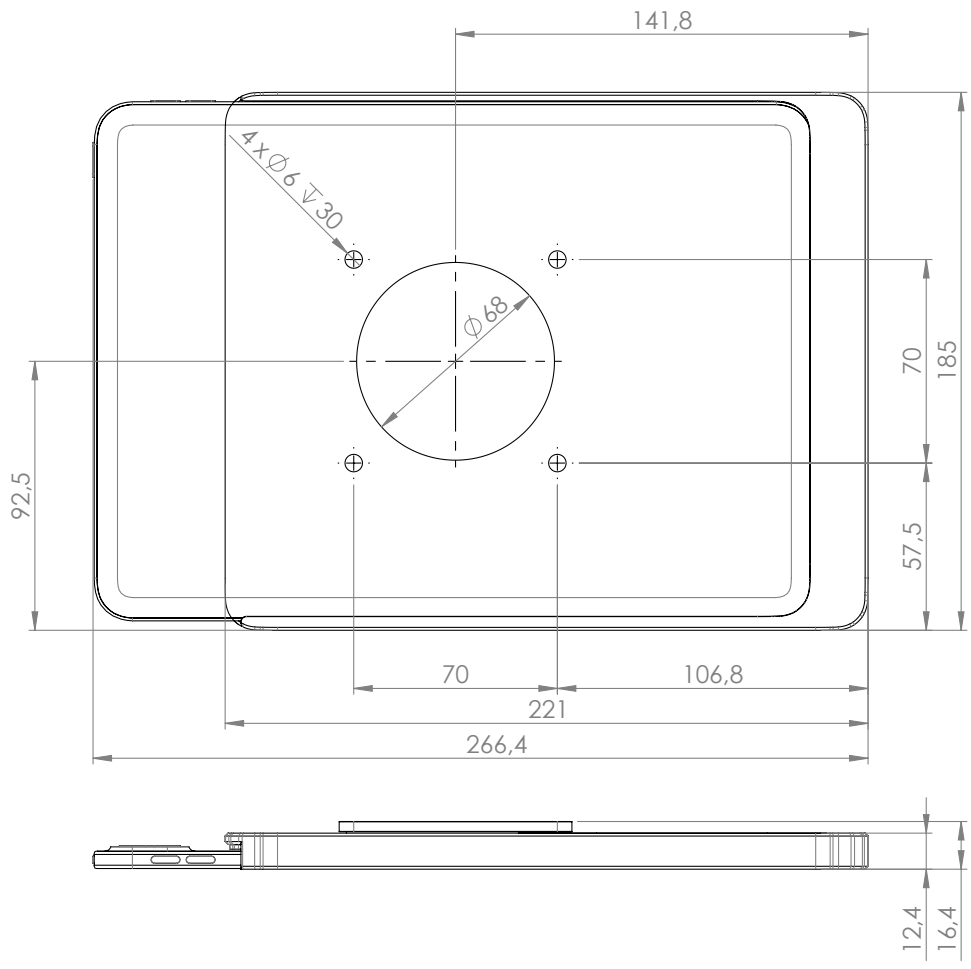
Dame Wall Home for iPad 10.2"



Dame Wall Home for iPad 10.9" 10th gen.



Dame Wall Home for iPad Air 4/5 10.9" / Air 11" / Pro 11"



| Product               | DSP number         | EAN           | Product variant   | Compatible devices  | Cable                         | Weight in kg |
|-----------------------|--------------------|---------------|---|---|-------------------------------|--------------|
| <b>Dame Wall Home</b> | DSP-2-12-1002-00   | 4260600743127 | Dame Wall Home for iPad 10.2" White Powder Coated                             | iPad 10.2" (7th gen.)   iPad 10.2" (8th gen.)   iPad 10.2" (9th gen.)   | integrated Lightning to USB-A | 0.7          |
| <b>Dame Wall Home</b> | DSP-2-12-1002-11   | 4260600743103 | Dame Wall Home for iPad 10.2" Silver Anodized                                 | iPad 10.2" (7th gen.)   iPad 10.2" (8th gen.)   iPad 10.2" (9th gen.)   | integrated Lightning to USB-A | 0.7          |
| <b>Dame Wall Home</b> | DSP-2-12-1002-12   | 4260600743110 | Dame Wall Home for iPad 10.2" Black Anodized                                  | iPad 10.2" (7th gen.)   iPad 10.2" (8th gen.)   iPad 10.2" (9th gen.)   | integrated Lightning to USB-A | 0.7          |
| <b>Dame Wall Home</b> | DSP-2-12-1009-00-C | 4260600745459 | Dame Wall Home for iPad 10.9" 10th Gen. White Powder Coated                   | iPad 10.9" (10th gen.)  | integrated USB-C to USB-C     | 0.7          |
| <b>Dame Wall Home</b> | DSP-2-12-1009-11-C | 4260600745466 | Dame Wall Home for iPad 10.9" 10th Gen. Silver Anodized                       | iPad 10.9" (10th gen.)  | integrated USB-C to USB-C     | 0.7          |
| <b>Dame Wall Home</b> | DSP-2-12-1009-12-C | 4260600745473 | Dame Wall Home for iPad 10.9" 10th Gen. Black Anodized                        | iPad 10.9" (10th gen.)  | integrated USB-C to USB-C     | 0.7          |
| <b>Dame Wall Home</b> | DSP-2-12-1100-00-C | 4260600743301 | Dame Wall Home for iPad Air 4/5 10.9" / Air 11" / Pro 11" White Powder Coated | iPad Air 4 10.9"   iPad Air 5 10.9"   iPad Air 11" (2024)   iPad Pro 11" (1st gen.)   iPad Pro 11" (2nd gen.)   iPad Pro 11" (3rd gen.)   iPad Pro 11" (4th gen.) | integrated USB-C to USB-C     | 0.7          |
| <b>Dame Wall Home</b> | DSP-2-12-1100-11-C | 4260600743318 | Dame Wall Home for iPad Air 4/5 10.9" / Air 11" / Pro 11" Silver Anodized     | iPad Air 4 10.9"   iPad Air 5 10.9"   iPad Air 11" (2024)   iPad Pro 11" (1st gen.)   iPad Pro 11" (2nd gen.)   iPad Pro 11" (3rd gen.)   iPad Pro 11" (4th gen.) | integrated USB-C to USB-C     | 0.7          |
| <b>Dame Wall Home</b> | DSP-2-12-1100-12-C | 4260600743325 | Dame Wall Home for iPad Air 4/5 10.9" / Air 11" / Pro 11" Black Anodized      | iPad Air 4 10.9"   iPad Air 5 10.9"   iPad Air 11" (2024)   iPad Pro 11" (1st gen.)   iPad Pro 11" (2nd gen.)   iPad Pro 11" (3rd gen.)   iPad Pro 11" (4th gen.) | integrated USB-C to USB-C     | 0.7          |
| <b>USB Charger</b>    | DSP-99-USB-2       | 4260600743059 | USB electric concealed socket 12 W 2.4 A                                      | for all tablets or wall mounts with USB-A power cable   | no                            | 0.1          |
| <b>USB Charger</b>    | DSP-95-USB         | 4260600746333 | Displine USB-C charger 20W  | recommended for all tablets with USB-C port   | no                            | 0.1          |
| <b>Cable</b>          | DSP-91-CC          | 4260600746340 | Displine USB-C to USB-C Cable   | for tablets with USB-C port and Displine 20W USB-C charger and Displine PoE Converter   | no                            | 0.0          |
| <b>Cable</b>          | DSP-91-CA          | 4260600746357 | Displine USB-C to USB-A Cable   | for tablets with USB-C port and USB electric concealed socket 12 W 2.4 A  | no                            | 0.0          |
| <b>Cable</b>          | DSP-91-LA          | 4260600746630 | Lightning to USB-A Cable  | recommended for tablets with Lightning connector  | no                            | 0.0          |
| <b>PoE</b>            | DSP-95-POE         | 4260600746845 | Displine PoE Converter 22W  | USB-C / power + data or only power  | no                            | 0.1          |