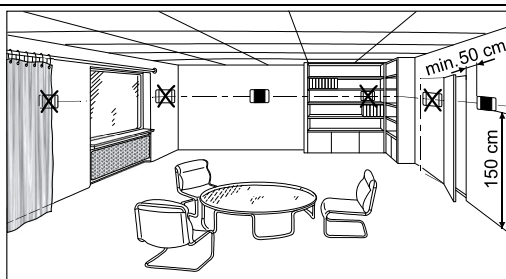
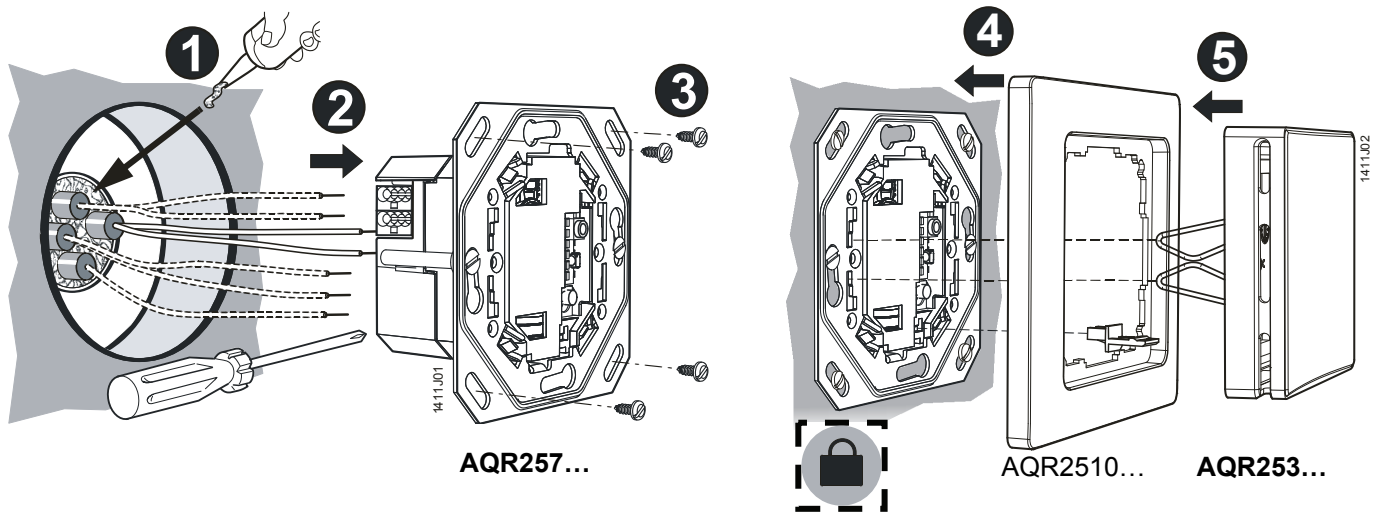


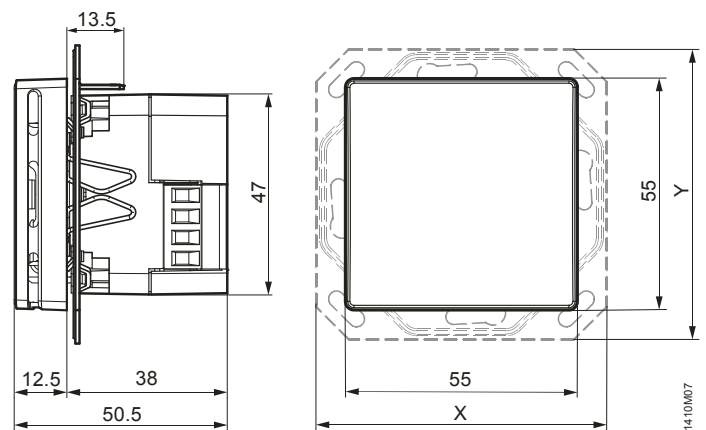
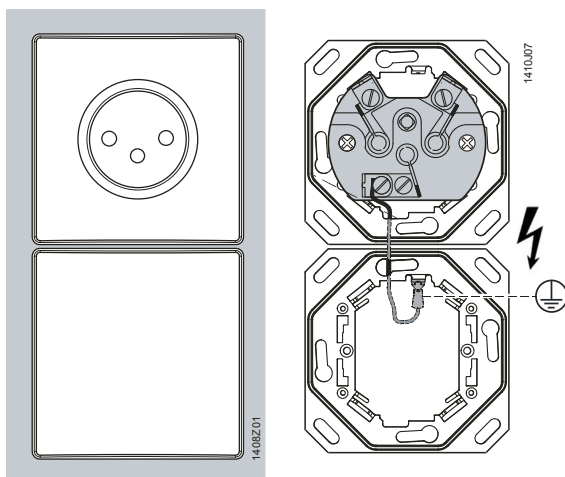
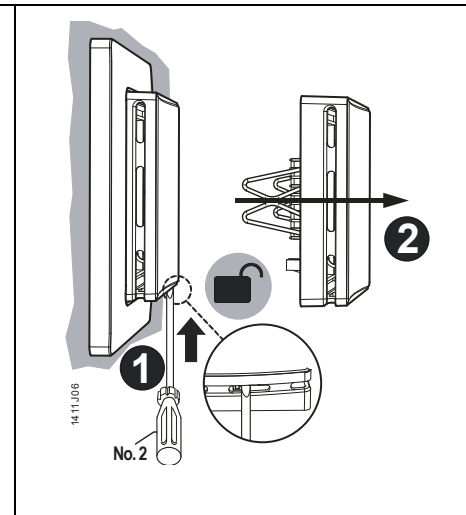
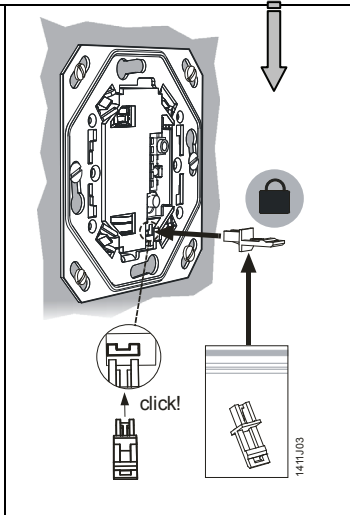
**de** Montageanleitung  
**en** Mounting instructions  
**fr** Instructions de montage  
**sv** Monteringsinstruktion  
**nl** Montage-aanwijzing  
**it** Istruzioni di montaggio  
**fi** Asennusohje  
**es** Instrucciones de montaje  
**da** Monteringsvejledning

**Raumfühler**  
**Room sensor**  
**Sonde d' ambiante**  
**Rumsgivare**  
**Ruimteopnemer**  
**Sonda ambiente**  
**Anturi huoneasennusta varten**  
**Sonda de ambiente**  
**Rumføleren**

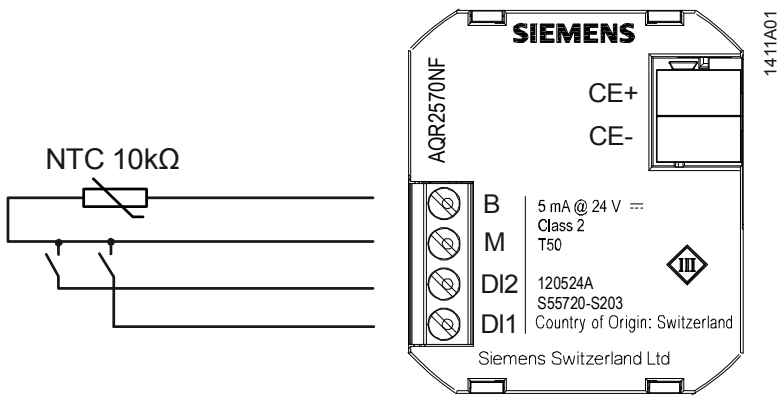
**AQR253..**  
**AQR257..**



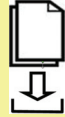
	min. 1 x	max. 1 x    2 x	
	0.25 mm <sup>2</sup>	2.5 mm <sup>2</sup>	1.5 mm <sup>2</sup>
	0.25 mm <sup>2</sup>	1.5 mm <sup>2</sup>	1.5 mm <sup>2</sup>
	0.25 mm <sup>2</sup>	1.5 mm <sup>2</sup>	1.0 mm <sup>2</sup>
	0.6 mm Ø	0.8 mm Ø	



	CEE/DE	British standard	3 Modular	UL
X	70.8 mm	83 mm	110 mm	64 mm
Y	70.8 mm	83 mm	64 mm	110 mm



For additional  
information  
please refer to  
the following  
documents on  
the Internet:



[www.siemens.com/bt/download](http://www.siemens.com/bt/download)

- data sheet: search for "N1411en"
- basic docum.: search for "P1411en"