



ALFATORR ROOF FAN AND VENT



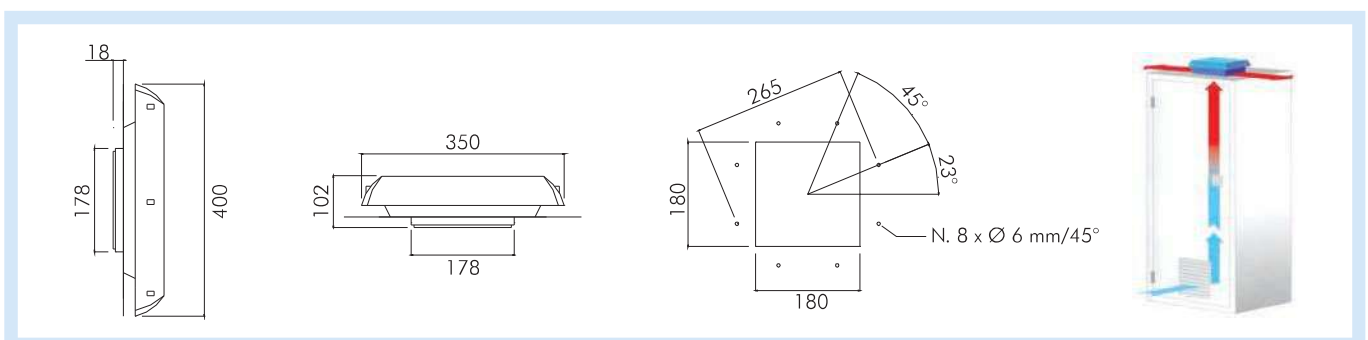
Features	Unit	ALFATORRB	ALFATORR0600B	ALFATORR0610B	ALFATORR0860B	ALFATORR0861B	ALFATORR1000B	ALFATORR1010B
Air flow rate (free blow)	m ³ /h	-	600(625)		860(950)		1,000(1,050)	
Flow rate with inlet filter	m ³ /h	-	430(450)		580(640)		700(720)	
Power supply	V/Hz	-	230/50-60	115/50-60	230/50-60	115/50-60	230/50-60	115/50-60
Dimensions HxWxD	mm	400x350x102	400x350x102					
Power consumption	W	-	70(90)		85(115)		120(170)	
Current consumption	A	-	0.32(0.40)	0.64(0.80)	0.43(0.50)	0.86(1.00)	0.50(0.75)	1.00(1.50)
Overcurrent protection	-	-	thermal					
Electric connection	-	-	4-pole terminal 2.5 mm ²					
Duty cycle	-	-	100%					
Operating temperature	°C	-	-10/+70					
Protection degree enclosure side	-	-	IP44					
Protection class	-	-	Class I					
Noise level	dB(A)	-	64(65)		72(73)			
Flow direction	-	-	inside-out					
Bearing	-	-	ball					
Service life (at 40°C)	hr	-	50,000					
Material	-	-	ABS UL94V-0 Color RAL7035					
Gasket	-	-	Polythene					
Weight (with packaging)	kg	2.30(2.50)	3.65(3.85)		4.00(4.20)		4.75(4.95)	
Package dimensions	mm	410x360x130						
Mounting	-	Screws						
Conformity/Approvals	-	CE						

Versions

UL File n. E301228	ALFATORRUB	ALFATORR0600UB	ALFATORR0610UB	ALFATORR0860UB	ALFATORR0861UB	-
RAL7032 -Gray - Code ending						delete B
EMC - Code ending	M					-
IP54 - Code ending				F		

Accessories

Thermostat 0-60°C, NO contact	-	THV2
Grill with filter mat		ALFA3000BPB
Fan speed controller	-	FSC
Spare filter mat		ALFAFT10



ael-cat-efr-15_01 - Specifications, values and drawings are subject to change without notice.