

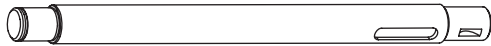
AGA58.1 (4 259 9521 0)



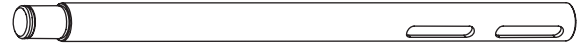
AGA58.6 (4 259 9537 0)



AGA58.2 (4 259 9522 0)



AGA58.7 (4 259 9524 0)



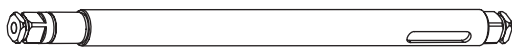
AGA58.3 (4 259 9523 0)



AGA58.8 (4 259 9529 0)



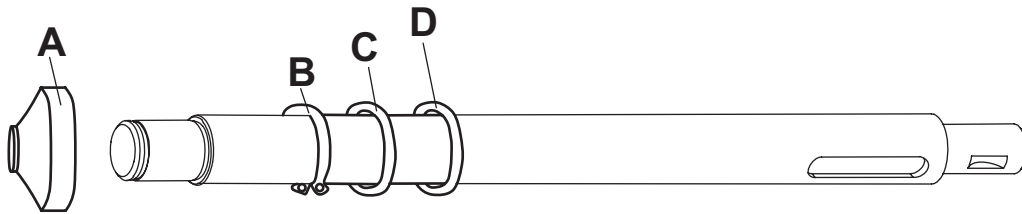
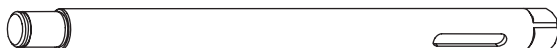
AGA58.4 (4 259 9526 0)



AGA58.9 (4 259 9532 0)

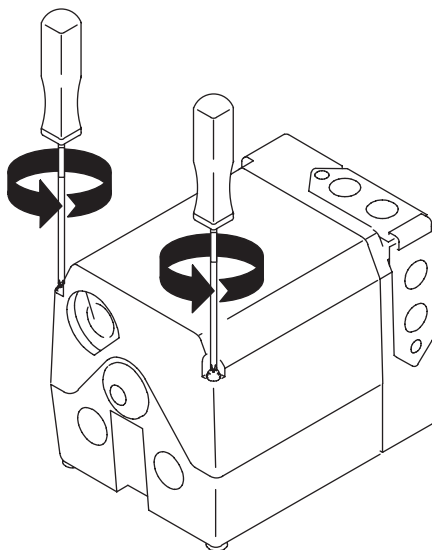


AGA58.5 (4 259 9527 0)

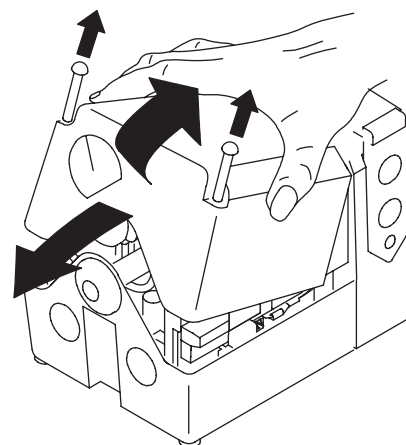


AGA58... + SQM5...

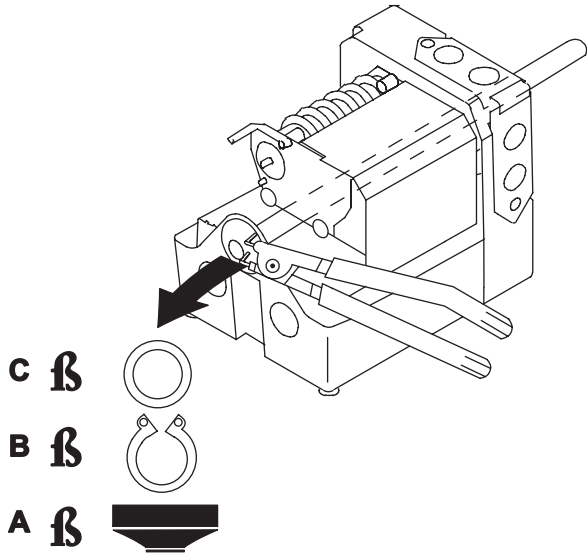
1



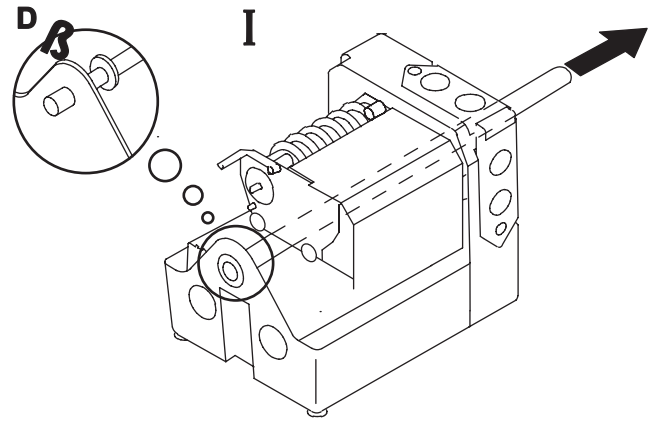
2



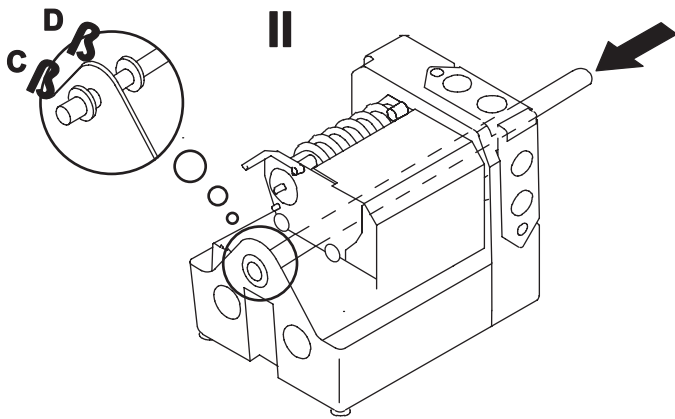
3



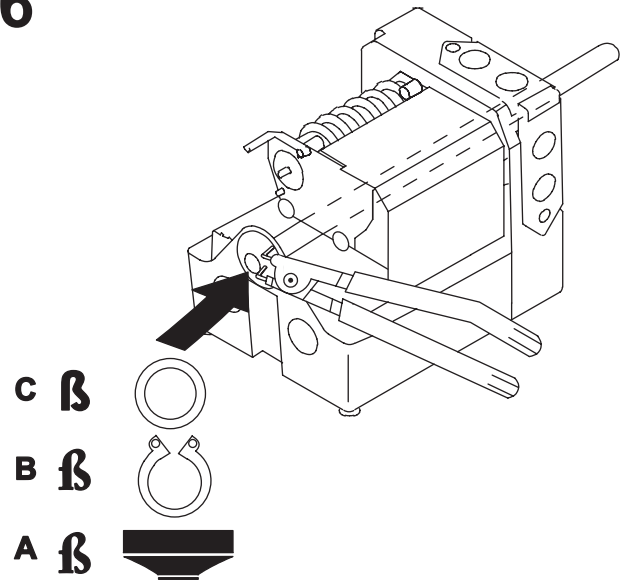
4



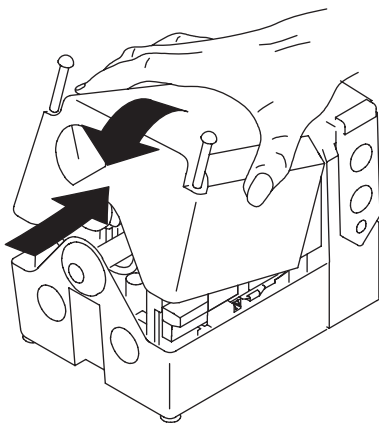
5



6



7



8

