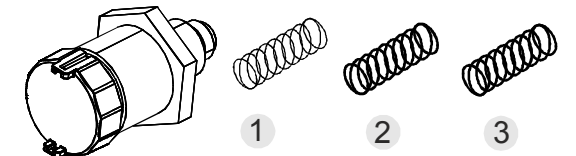
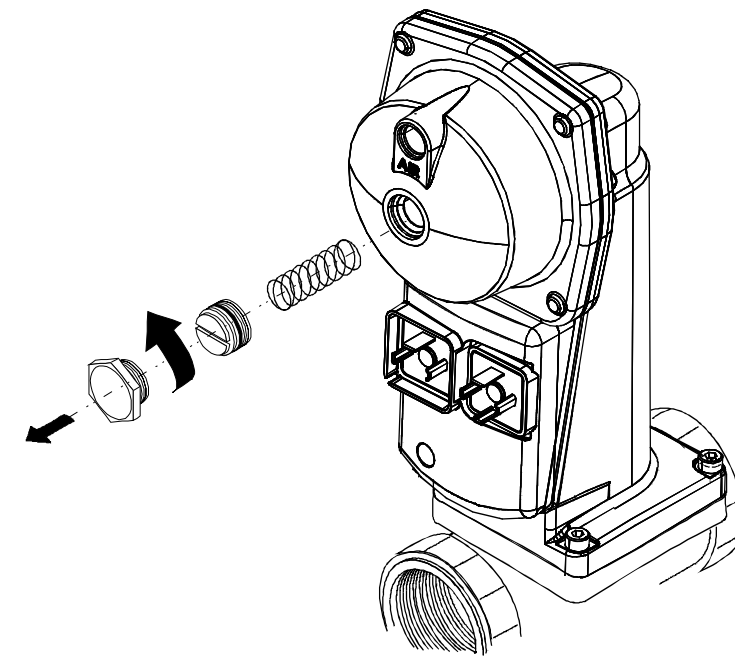


Inhalt/contents

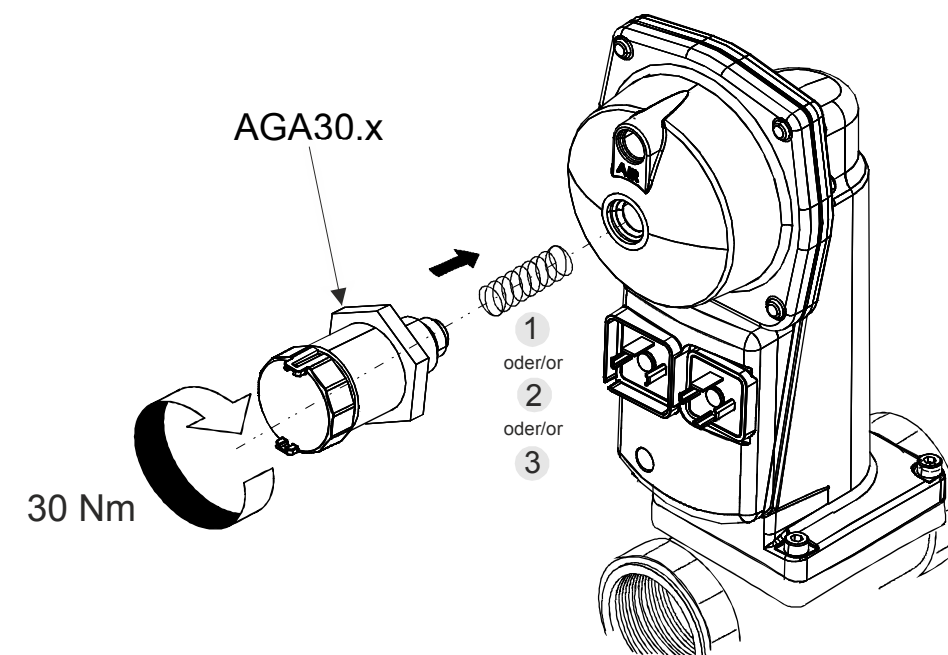
Feder/spring	1.5...12 kPa 15...120 mbar gelb/yellow	10...25 kPa 100...250 mbar rot/red	10...36 kPa 100...360 mbar blank
AGA	1	2	3
AGA30.0	X		
AGA30.1		X	
AGA30.2			X



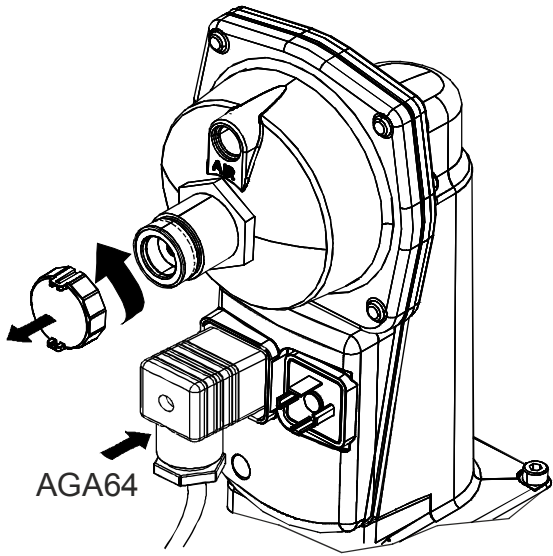
1



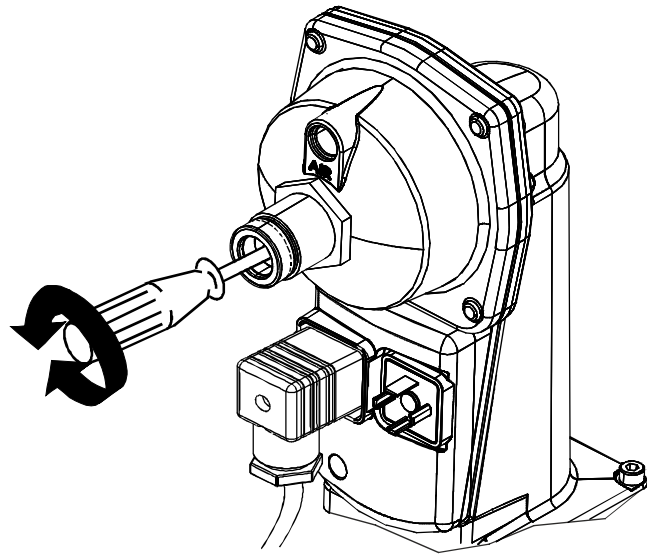
2



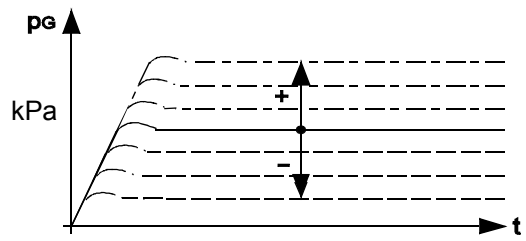
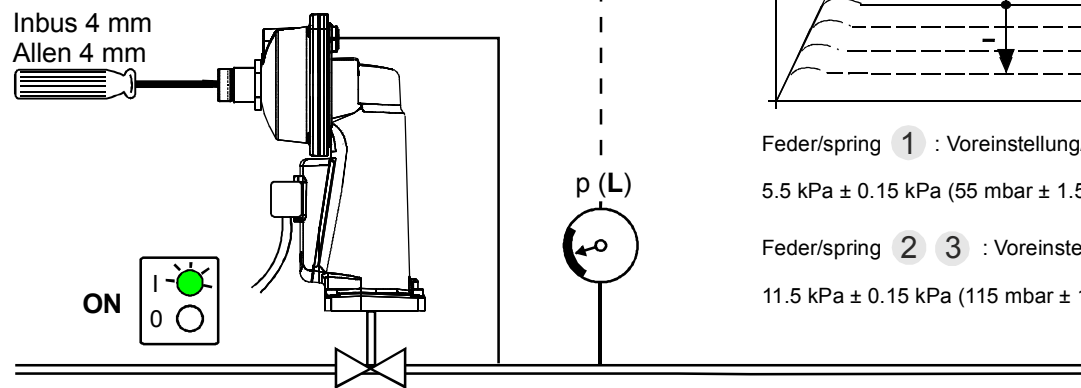
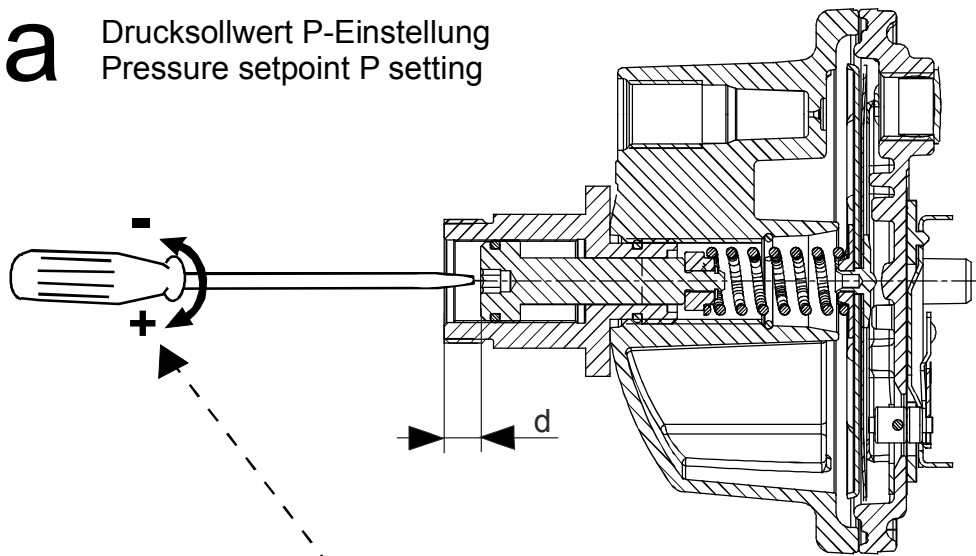
3



4



4a Drucksollwert P-Einstellung
Pressure setpoint P setting

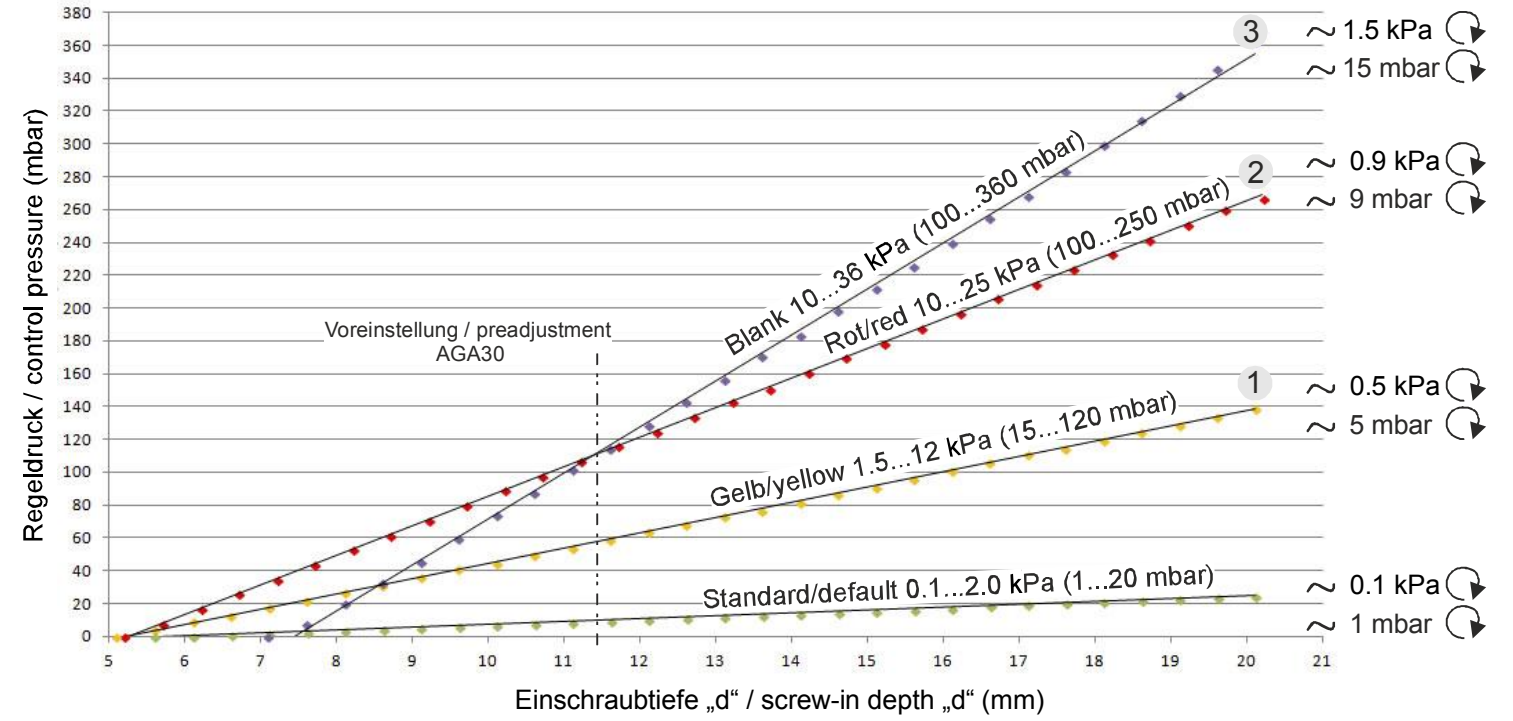


Feder/spring 1 : Voreinstellung/presetting
 $5.5 \text{ kPa} \pm 0.15 \text{ kPa} (55 \text{ mbar} \pm 1.5 \text{ mbar}) \hat{=} d=11.5 \pm 0.5 \text{ mm}$

Feder/spring 2 3 : Voreinstellung/presetting
 $11.5 \text{ kPa} \pm 0.15 \text{ kPa} (115 \text{ mbar} \pm 1.5 \text{ mbar}) \hat{=} d=11.5 \pm 0.5 \text{ mm}$

4b

Feder mit AGA30 / spring with AGA30



5

